

<b>Model</b>		SS935/955, Ges5230/5270, Rex1160/1170					<b>Volt/Hz</b>	<b>Date of Modification</b>	<b>Serial Number</b>	
<b>Modified Article</b>		Upper Master Feed Roller & Upper Reverse Roller								
<b>Reason for Modification</b>		To increase the master paper feeding ability								
Draw No.	Old Parts No.	New Parts No.	Description	A.B.C.	Q'ty Used Old → New	Inter- change- ability	Part needed for replacement by new part		Parts Catalog	
				Rank			Part No.	Description	Index No.	Page
	C2004181	C2074181	Upper Master Feed Roller		1 - 1	x/o			48	53
	C2034046	C2074046	Upper Reverse Roller		1 - 1	x/o			42	53

Rank: A : Replace with new parts immediately. B : Replace with new parts at time of repair. C : Replace with new parts at time of overhaul.

Interchangeability:

(1) When old and new parts are not mutually interchangeable, use additional parts or an assembly part as indicated in "Parts needed for replacement by new part" to install the new part.

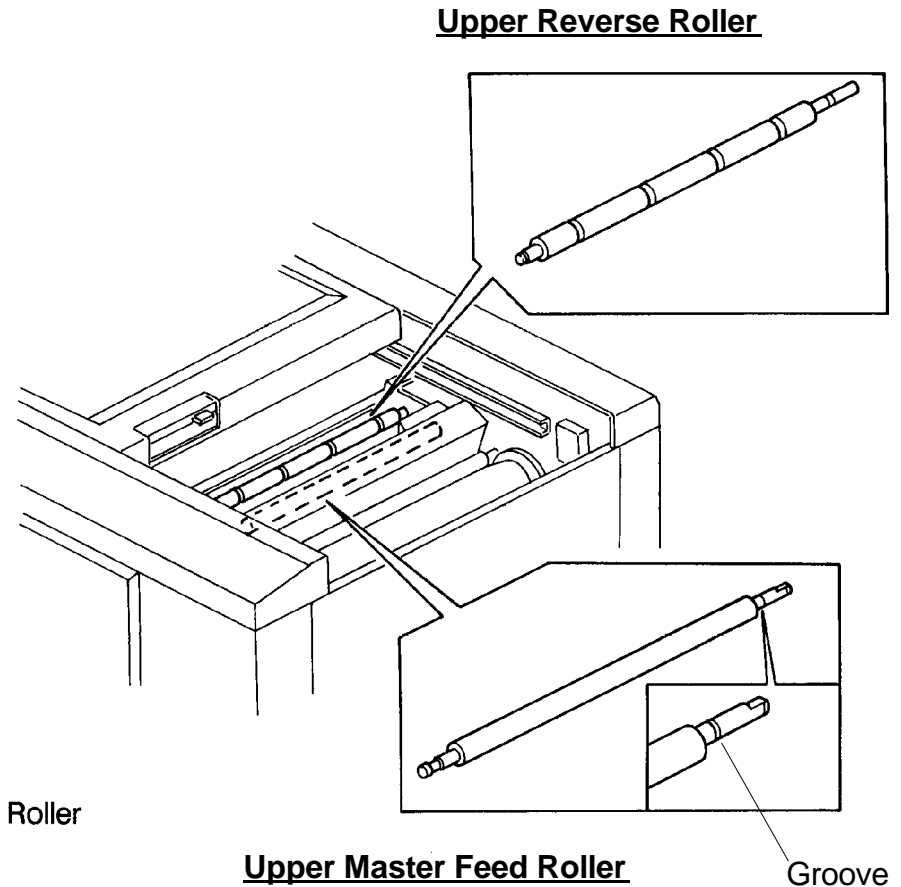
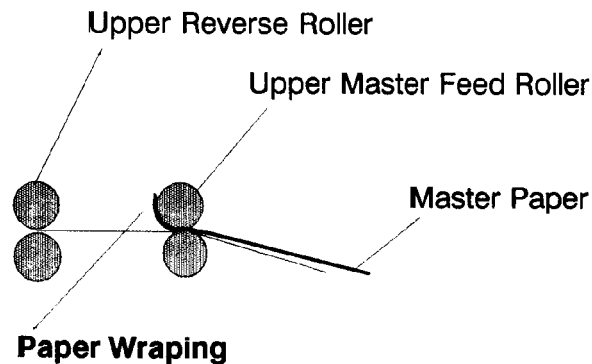
(2) The mark to the left of the slash indicates whether the old part can be used in the new machine, and the mark to the right indicates whether the new part can be used in the old machine. x = Not interchangeable o = Interchangeable

**DETAILS OF MODIFICATION**

If the machine is used under extremely low humidity and temperature conditions, master paper may be wrapped around the upper master feed roller or upper reverse roller when master paper is feeding. This symptom is due to heavy static in such circumstances.

To increase the master paper feeding ability even under such circumstances, the upper master feed roller has been changed to an electrically conductive type. Also, the upper reverse roller has been changed to an anti-static type.

NOTE: \* The color of the upper reverse roller has been changed from gray to pink.  
 \* The shaft of the new upper master feed roller has a groove for identification. (However, some of the first production rollers do not have the groove. They can be distinguished by the part number.)



T. Ito, Manager,  
 Copier Technical Support

MODEL NAME	V/Hz	DESTINATION	CODE	SERIAL NUMBER
Rex 1160	120/60	Canada	C208 - 10	116088021
Ges 5230	120/60	USA, Canada	C208 - 12	SI52303256
Ges 5230	110/60	Taiwan	C208 - 13	523022025
Rex 1160	110/60	Taiwan	C208 - 14	116044010
Ricoh SS935	120/60	USA, Canada	C208 - 17	264009XXXX
Ricoh SS935	110/60	Taiwan	C208 - 19	264009XXXX
Ges 5230	220/50	Europe	C208 - 22	523011412
Rex 1160	220/50	Europe	C208 - 24	116051106
Ricoh SS935	220,240/50	Europe, etc.	C208 - 27	2640070001
Ricoh SS935	220,240/50	Asia, etc.	C208 - 29	2640080032
Rex 1170	120/60	Canada	C207 - 10	117088032
Ges 5270	120/60	USA, Canada	C207 - 12	SI52707181
Ges 5270	110/60	Taiwan	C207 - 13	527022014
Rex 1170	110/60	Taiwan	C207 - 14	117044006
Ricoh SS955	120/60	USA, Canada	C207 - 17	265009XXXX
Ricoh SS955	110/60	Taiwan	C207 - 19	265009XXXX
Ges 5270	220/50	Europe	C207 - 22	527011472
Rex 1170	220/50	Europe	C207 - 24	117051138
Ricoh SS955	220,240/50	Europe, etc.	C207 - 27	2650070001
Ricoh SS955	220,240/50	Asia, etc.	C207 - 29	2650080066

<b>Model</b>	SS935/955, Ges5230/5270, Rex1160/1170	<b>Volt/Hz</b>	<b>Date of Modification</b>	<b>Serial Number</b>
<b>Modified Article</b>	Flat Cable - Master Processing			
<b>Reason for Modification</b>	To facilitate asseby on the production line <b>(USA and Canada Version Machines Only)</b>			

Draw No.	Old Parts No.	New Parts No.	Description	A.B.C.	Q'ty Used Old → New	Inter- change- ability	Part needed for replacement by new part		Parts Catalog	
				Rank			Part No.	Description	Index No.	Page
	C2078102	C2078105	Flat Cable - Master Processing		1 - 1	x/o			15	47

Rank: A : Replace with new parts immediately. B : Replace with new parts at time of repair. C : Replace with new parts at time of overhaul.  
 Interchangeability:  
 (1) When old and new parts are not mutually interchangeable, use additional parts or an assembly part as indicated in "Parts needed for replacement by new part" to install the new part.  
 (2) The mark to the left of the slash indicates whether the old part can be used in the new machine, and the mark to the right indicates whether the new part can be used in the old machine. x = Not interchangeable o = Interchangeable

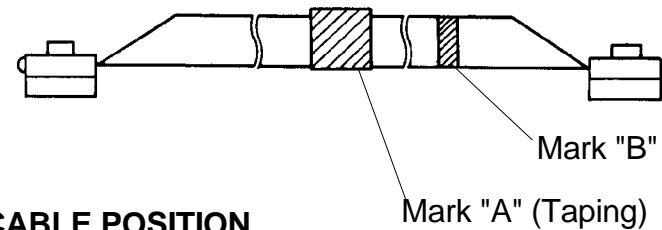
**DETAILS OF MODIFICATION**

To facilitate assembly on the production line, marks ("A" and "B") have been added to the flat cable between the machine frame and scanner unit. On the production line the flat cable is assembled as shown in the illustration.

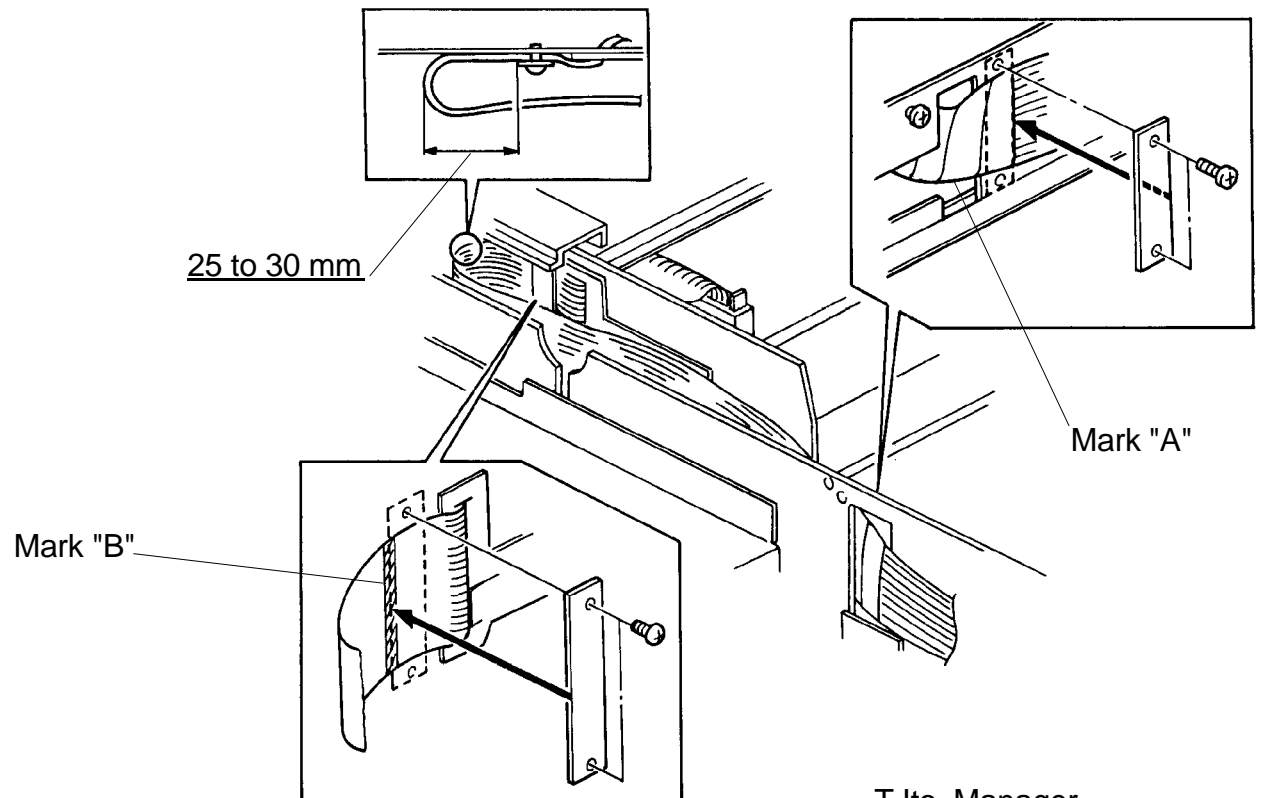
**NOTE:** This modification is applied to the USA and Canada version machines only. The other version machines are still using the existing flat cable (#C2078102).

If the flat cable is not correctly installed, it may be distorted or crimped when the scanner unit is open. (To prevent the flat cable from being damaged by the edge of the frame when it is cramped, a strip of tape (Mark "A") has been added to the flat cable.) The flat cable is correctly positioned as shown in "FLAT CABLE POSITION" when the scanner unit is open.

**New Flat Cable (#C2078105)**



**FLAT CABLE POSITION**



T.Ito, Manager  
Copier Technical Support

MODEL NAME	V/Hz	DESTINATION	CODE	SERIAL NUMBER
Rex 1160	120/60	Canada	C208 - 10	116088024
Ges 5230	120/60	USA, Canada	C208 - 12	SI52303331
<del>Ges 5230</del>	<del>110/60</del>	<del>Taiwan</del>	<del>C208 - 13</del>	
<del>Rex 1160</del>	<del>110/60</del>	<del>Taiwan</del>	<del>C208 - 14</del>	
Ricoh SS935	120/60	USA, Canada	C208 - 17	264009XXXX
<del>Ricoh SS935</del>	<del>110/60</del>	<del>Taiwan</del>	<del>C208 - 19</del>	
<del>Ges 5230</del>	<del>220/50</del>	<del>Europe</del>	<del>C208 - 22</del>	
<del>Rex 1160</del>	<del>220/50</del>	<del>Europe</del>	<del>C208 - 24</del>	
<del>Ricoh SS935</del>	<del>220,240/50</del>	<del>Europe, etc.</del>	<del>C208 - 27</del>	
<del>Ricoh SS935</del>	<del>220,240/50</del>	<del>Asia, etc.</del>	<del>C208 - 29</del>	
Rex 1170	120/60	Canada	C207 - 10	11088032
Ges 5270	120/60	USA, Canada	C207 - 12	SI52707218
<del>Ges 5270</del>	<del>110/60</del>	<del>Taiwan</del>	<del>C207 - 13</del>	
<del>Rex 1170</del>	<del>110/60</del>	<del>Taiwan</del>	<del>C207 - 14</del>	
Ricoh SS955	120/60	USA, Canada	C207 - 17	265009XXXX
<del>Ricoh SS955</del>	<del>110/60</del>	<del>Taiwan</del>	<del>C207 - 19</del>	
<del>Ges 5270</del>	<del>220/50</del>	<del>Europe</del>	<del>C207 - 22</del>	
<del>Rex 1170</del>	<del>220/50</del>	<del>Europe</del>	<del>C207 - 24</del>	
<del>Ricoh SS955</del>	<del>220,240/50</del>	<del>Europe, etc.</del>	<del>C207 - 27</del>	
<del>Ricoh SS955</del>	<del>220,240/50</del>	<del>Asia, etc.</del>	<del>C207 - 29</del>	

<b>Model</b>	SS935/955, Ges5230/5270	<b>Volt/Hz</b>	<b>Date of Modification</b>	<b>Serial Number</b>
<b>Modified Article</b>	Operating Instructions (Gestetner USA Only)			
<b>Reason for Modification</b>	As per Gestetner USA's request			

As per Gestetner USA's request , the operating instructions have been included in the machine carton box.  
Please add the following parts to your parts catalog:

Page	Index	Parts Catalog	Description
87	25	C2078650	Operation Instructions - Make-up (5270)
87	25	C2088650	Operation Instructions - English (5230/5270)

T.Ito, Manager  
Copier Technical Support

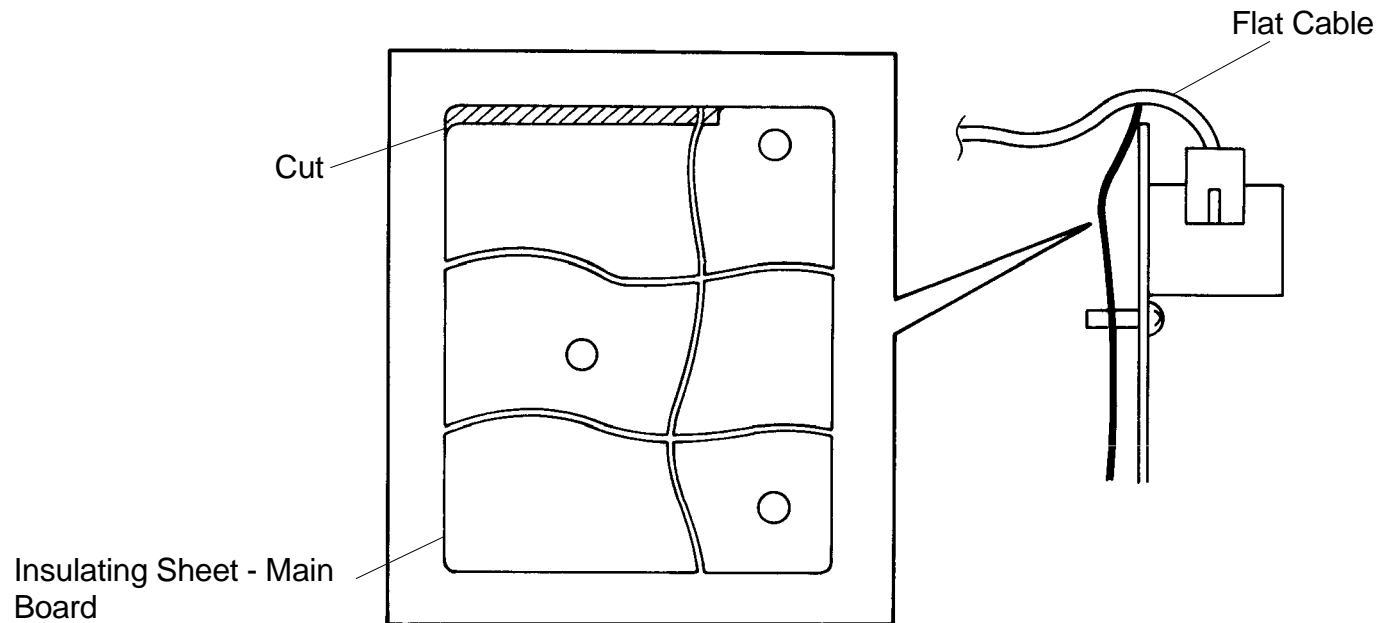
MODEL NAME	V/Hz	DESTINATION	CODE	SERIAL NUMBER
Rex 1160	120/60	Canada	C208 - 10	
Ges 5230	120/60	USA, Canada	C208 - 12	SI52303331
Ges 5230	110/60	Taiwan	C208 - 13	
Rex 1160	110/60	Taiwan	C208 - 14	
Ricoh SS935	120/60	USA, Canada	C208 - 17	
Ricoh SS935	110/60	Taiwan	C208 - 19	
Ges 5230	220/50	Europe	C208 - 22	
Rex 1160	220/50	Europe	C208 - 24	
Ricoh SS935	220,240/50	Europe, etc.	C208 - 27	
Ricoh SS935	220,240/50	Asia, etc.	C208 - 29	
Rex 1170	120/60	Canada	C207 - 10	
Ges 5270	120/60	USA, Canada	C207 - 12	SI52707218
Ges 5270	110/60	Taiwan	C207 - 13	
Rex 1170	110/60	Taiwan	C207 - 14	
Ricoh SS955	120/60	USA, Canada	C207 - 17	
Ricoh SS955	110/60	Taiwan	C207 - 19	
Ges 5270	220/50	Europe	C207 - 22	
Rex 1170	220/50	Europe	C207 - 24	
Ricoh SS955	220,240/50	Europe, etc.	C207 - 27	
Ricoh SS955	220,240/50	Asia, etc.	C207 - 29	



<b>Model</b>	SS935/955	<b>Volt/Hz</b>	<b>Date of Modification</b>	<b>Serial Number</b>
<b>Modified Article</b>	Insulating Sheet (Taiwan & European Version only)			
<b>Reason for Modification</b>	To ensure connector setting			

The main board insulating sheet may interfere with the flat cable and cause the connector to be disconnected from the main control board. To prevent this, the configuration of the main board insulating sheet has been changed as shown.

Old P/N	New P/N	Description	Q'ty	Interchangeability	Index	Page
C2032148	C2072148	Insulating Sheet - Main Board	1 — 1	X/O	34	59



T.Ito, Manager  
Copier Technical Support

MODEL NAME	V/Hz	DESTINATION	CODE	SERIAL NUMBER
Rex 1160	120/60	Canada	C208 - 10	
Ges 5230	120/60	USA, Canada	C208 - 12	
Ges 5230	110/60	Taiwan	C208 - 13	523022037
Rex 1160	110/60	Taiwan	C208 - 14	116044010
Ricoh SS935	120/60	USA, Canada	C208 - 17	
Ricoh SS935	110/60	Taiwan	C208 - 19	264009XXXX
Ges 5230	220/50	Europe	C208 - 22	523011515
Rex 1160	220/50	Europe	C208 - 24	116051152
Ricoh SS935	220,240/50	Europe, etc.	C208 - 27	2640080001
Ricoh SS935	220,240/50	Asia, etc.	C208 - 29	2640080032
Rex 1170	120/60	Canada	C207 - 10	
Ges 5270	120/60	USA, Canada	C207 - 12	
Ges 5270	110/60	Taiwan	C207 - 13	527022020
Rex 1170	110/60	Taiwan	C207 - 14	117044006
Ricoh SS955	120/60	USA, Canada	C207 - 17	
Ricoh SS955	110/60	Taiwan	C207 - 19	265009XXXX
Ges 5270	220/50	Europe	C207 - 22	527011686
Rex 1170	220/50	Europe	C207 - 24	117051201
Ricoh SS955	220,240/50	Europe, etc.	C207 - 27	2650080001
Ricoh SS955	220,240/50	Asia, etc.	C207 - 29	2650080066

<b>Model</b>	SS935/955, Ges5230/5270, Rex1160/1170	<b>Volt/Hz</b>	<b>Date of Modification</b>	<b>Serial Number</b>
<b>Modified Article</b>	Fuse			
<b>Reason for Modification</b>	To ensure durability of Main Control Board			

To ensure the durability of the main control board. The melting current value of the fuse on the main control board has been changed from 1A to 2A. The interchangeability X/O.

Page	Index	Old P/N	New P/N	Description
63	109	11070653		Fuse - 2A - 125V/50A
			11070654	Fuse - 2A - 125V/50A

T.Ito, Manager  
Copier Technical Support

MODEL NAME	V/Hz	DESTINATION	CODE	SERIAL NUMBER
Rex 1160	120/60	Canada	C208 - 10	116088024
Ges 5230	120/60	USA, Canada	C208 - 12	SI52303331
Ges 5230	110/60	Taiwan	C208 - 13	523022037
Rex 1160	110/60	Taiwan	C208 - 14	116044010
Ricoh SS935	120/60	USA, Canada	C208 - 17	264009XXXX
Ricoh SS935	110/60	Taiwan	C208 - 19	264009XXXX
Ges 5230	220/50	Europe	C208 - 22	523011515
Rex 1160	220/50	Europe	C208 - 24	116051152
Ricoh SS935	220,240/50	Europe, etc.	C208 - 27	2640080001
Ricoh SS935	220,240/50	Asia, etc.	C208 - 29	2640080032
Rex 1170	120/60	Canada	C207 - 10	117088032
Ges 5270	120/60	USA, Canada	C207 - 12	SI52707218
Ges 5270	110/60	Taiwan	C207 - 13	527022020
Rex 1170	110/60	Taiwan	C207 - 14	117044006
Ricoh SS955	120/60	USA, Canada	C207 - 17	265009XXXX
Ricoh SS955	110/60	Taiwan	C207 - 19	265009XXXX
Ges 5270	220/50	Europe	C207 - 22	527011686
Rex 1170	220/50	Europe	C207 - 24	117051201
Ricoh SS955	220,240/50	Europe, etc.	C207 - 27	2650080001
Ricoh SS955	220,240/50	Asia, etc.	C207 - 29	2650080066

<b>Model</b>		SS935/955, Ges5230/5270, Rex1160/1170					<b>Volt/Hz</b>	<b>Date of Modification</b>	<b>Serial Number</b>	
<b>Modified Article</b>		Drum Clamper Ass'y								
<b>Reason for Modification</b>		To facilitate servicing								
Draw No.	Old Parts No.	New Parts No.	Description	A.B.C.	Q'ty Used Old → New	Inter-change-ability	Part needed for replacement by new part		Parts Catalog	
				Rank			Part No.	Description	Index No.	Page
		C2074948	Drum Clamper Ass'y		0 — 1				#46	37
								#: New Index		

Rank: A : Replace with new parts immediately.      B : Replace with new parts at time of repair.      C : Replace with new parts at time of overhaul.

Interchangeability:

(1) When old and new parts are not mutually interchangeable, use additional parts or an assembly part as indicated in "Parts needed for replacement by new part" to install the new part.

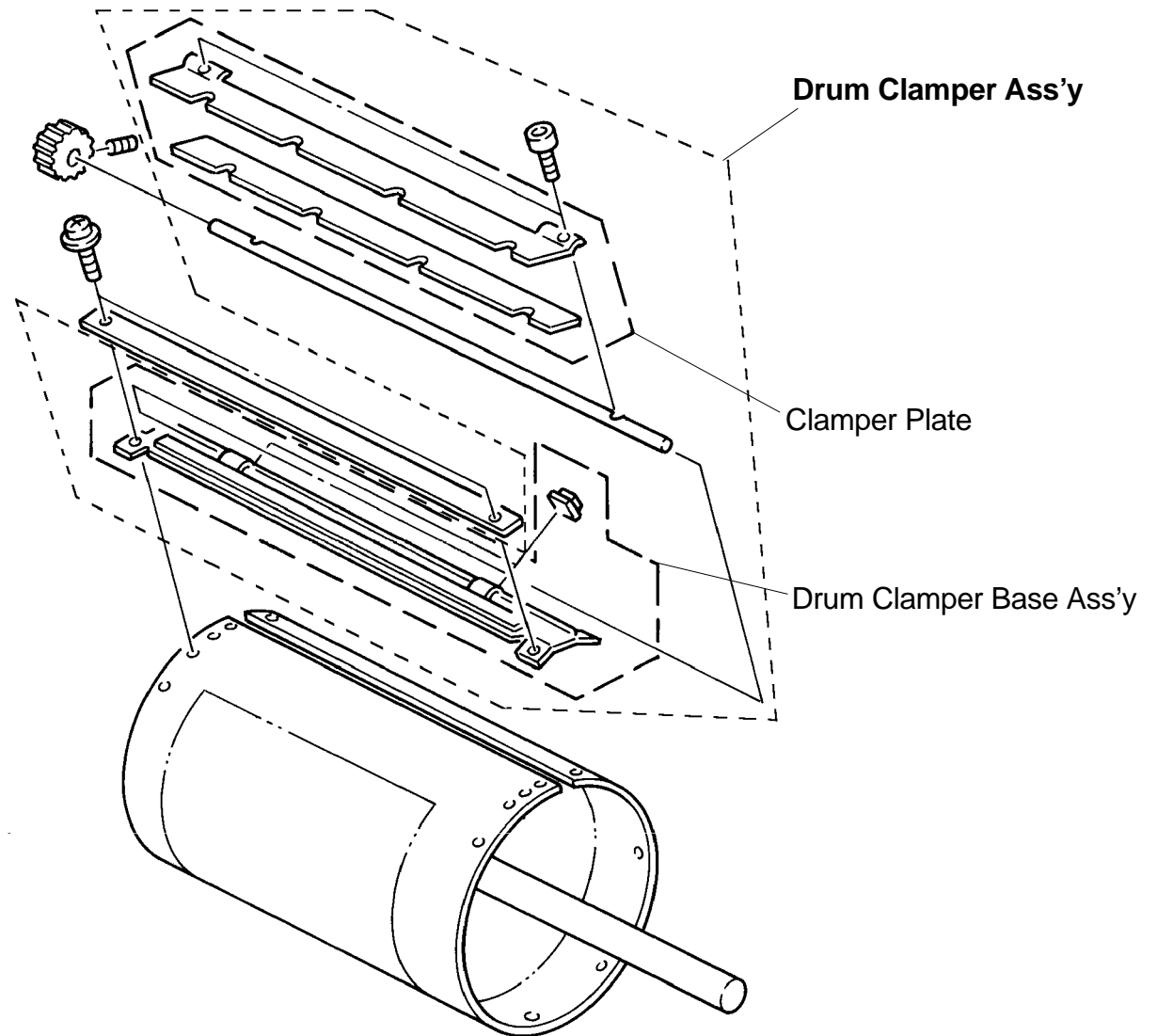
(2) The mark to the left of the slash indicates whether the old part can be used in the new machine, and the mark to the right indicates whether the new part can be used in the old machine.    x = Not interchangeable    o = Interchangeable

**DETAILS OF MODIFICATION**

**This MB supplements MB no. 17 issued on November 30, 1990.**

To facilitate servicing, the drum clamber ass'y has been registered as a service part. Use this assembled part when the old type clamber plate and/or drum clamber base ass'y are replaced.

**NOTE:** The difference between the drum clamber ass'y #C2034565 (for models C201, C203, C204, and C206) and #C2074948 (for models C205, C207, and C208) is the color of the base plate of the drum clamber base ass'y only. The base plate's color of #C2074948 is black to ensure the drum master detection sensor function.



T. Ito, Manager  
Copier Technical Support

MODEL NAME	V/Hz	DESTINATION	CODE	SERIAL NUMBER
Rex 1160	120/60	Canada	C208 - 10	
Ges 5230	120/60	USA, Canada	C208 - 12	
Ges 5230	110/60	Taiwan	C208 - 13	
Rex 1160	110/60	Taiwan	C208 - 14	
Ricoh SS935	120/60	USA, Canada	C208 - 17	
Ricoh SS935	110/60	Taiwan	C208 - 19	
Ges 5230	220/50	Europe	C208 - 22	
Rex 1160	220/50	Europe	C208 - 24	
Ricoh SS935	220,240/50	Europe, etc.	C208 - 27	
Ricoh SS935	220,240/50	Asia, etc.	C208 - 29	
Rex 1170	120/60	Canada	C207 - 10	
Ges 5270	120/60	USA, Canada	C207 - 12	
Ges 5270	110/60	Taiwan	C207 - 13	
Rex 1170	110/60	Taiwan	C207 - 14	
Ricoh SS955	120/60	USA, Canada	C207 - 17	
Ricoh SS955	110/60	Taiwan	C207 - 19	
Ges 5270	220/50	Europe	C207 - 22	
Rex 1170	220/50	Europe	C207 - 24	
Ricoh SS955	220,240/50	Europe, etc.	C207 - 27	
Ricoh SS955	220,240/50	Asia, etc.	C207 - 29	

Model		SS935/955, Ges5230/5270, Rex1160/1170					Volt/Hz	Date of Modification	Serial Number	
Modified Article		Front and Rear Drum Blades, etc.								
Reason for Modification		To prevent ink leakage from the drum edge								
Draw No.	Old Parts No.	New Parts No.	Description	A.B.C.	Q'ty Used Old → New	Inter-changeability	Part needed for replacement by new part		Parts Catalog	
				Rank			Part No.	Description	Index No.	Page
	C2004745	C2074745	Front Drum Blade		1 - 1	X/X ←	X/O as a set		13	39
	C2004746	C2074746	Rear Drum Blade		1 - 1	X/X ←			18	39
	C2074661	C2074664	Front Side Plate - Ink Roller		1 - 1	X/X ←			12	39
	C2074662	C2074665	Rear Side Plate - Ink Roller		1 - 1	X/X ←			2	39
	C2004765	C2074765	Front Bank Plate		1 - 1	X/O			14	39
	C2004766	C2074766	Rear Bank Plate		1 - 1	X/O		3	39	
		C2079011	Drum Blades Kit		0 - 1					

Rank: A : Replace with new parts immediately. B : Replace with new parts at time of repair. C : Replace with new parts at time of overhaul.  
 Interchangeability:  
 (1) When old and new parts are not mutually interchangeable, use additional parts or an assembly part as indicated in "Parts needed for replacement by new part" to install the new part.  
 (2) The mark to the left of the slash indicates whether the old part can be used in the new machine, and the mark to the right indicates whether the new part can be used in the old machine. x = Not interchangeable o = Interchangeable

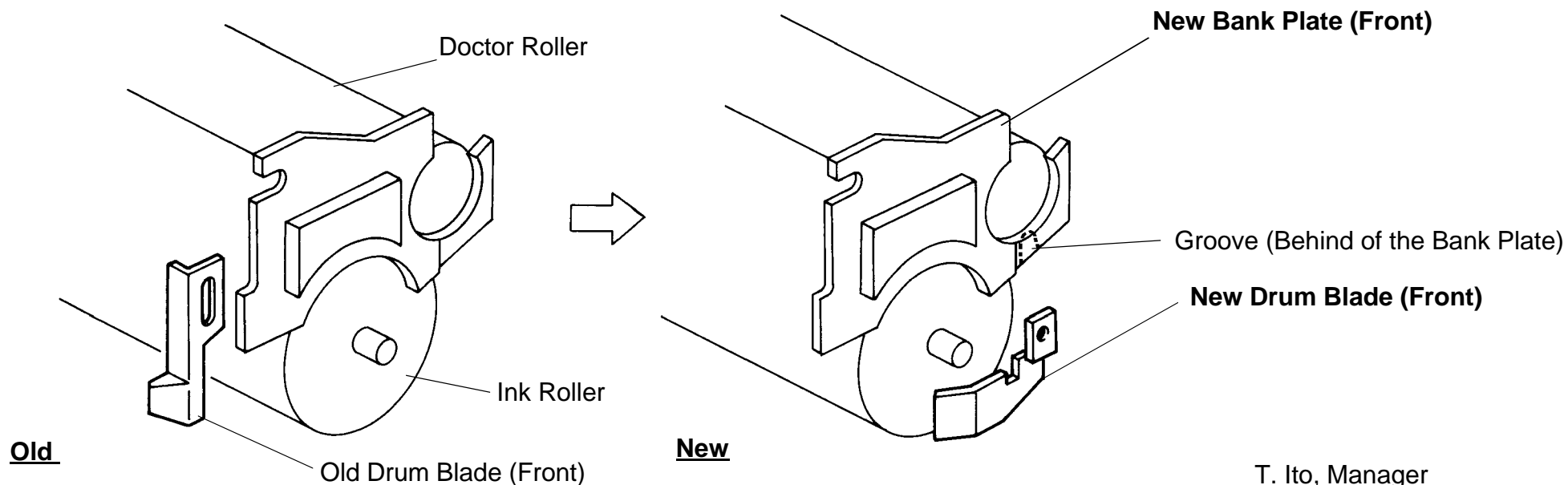


**DETAILS OF MODIFICATION**

Especially when the print volume is large, ink builds-up on the ink roller edges and may transfer to inside of the drum screen and leak from the drum edges. To prevent this, the following modifications have been implemented:

1. To scrape off the built-up ink on the ink roller edges, the front and rear drum blades have been changed as shown below. (The old type drum blades scraped the inside of the drum screen.)
2. To prevent built-up ink on the ink roller edges from being scraped off by the edge of the bank plates and falling on the inside of the drum screen, a groove has been hollowed out at the edge of the front and rear bank plates.
3. To allow installation of the new drum blades, a hole has been added to the front and rear side plates of the ink roller unit (Front/Rear Side Plate - Ink Roller: Not shown in illustration).

**NOTE:** It is difficult to replace the all parts described on the first page in the field. For this reason, the drum blades kit (P/N-C2079011) has been registered as a service part. Refer to RTB No. 7 issued on January 31, 1991 for the installation procedure.



T. Ito, Manager  
Copier Technical Support

MODEL NAME	V/Hz	DESTINATION	CODE	SERIAL NUMBER
Rex 1160	120/60	Canada	C208 - 10	From February '91
Ges 5230	120/60	USA, Canada	C208 - 12	SI52303864
Ges 5230	110/60	Taiwan	C208 - 13	From February '91
Rex 1160	110/60	Taiwan	C208 - 14	From February '91
Ricoh SS935	120/60	USA, Canada	C208 - 17	From February '91
Ricoh SS935	110/60	Taiwan	C208 - 19	From February '91
Ges 5230	220/50	Europe	C208 - 22	523012378
Rex 1160	220/50	Europe	C208 - 24	116051273
Ricoh SS935	220,240/50	Europe, etc.	C208 - 27	2640110001
Ricoh SS935	220,240/50	Asia, etc.	C208 - 29	2640110004
Rex 1170	120/60	Canada	C207 - 10	From February '91
Ges 5270	120/60	USA, Canada	C207 - 12	SI52707512
Ges 5270	110/60	Taiwan	C207 - 13	From February '91
Rex 1170	110/60	Taiwan	C207 - 14	From February '91
Ricoh SS955	120/60	USA, Canada	C207 - 17	From February '91
Ricoh SS955	110/60	Taiwan	C207 - 19	From February '91
Ges 5270	220/50	Europe	C207 - 22	527012909
Rex 1170	220/50	Europe	C207 - 24	117051438
Ricoh SS955	220,240/50	Europe, etc.	C207 - 27	2651010001
Ricoh SS955	220,240/50	Asia, etc.	C207 - 29	2651010106

<b>Model</b>	SS935/955, Ges5230/5270, Rex1160/1170	<b>Volt/Hz</b>	<b>Date of Modification</b>	<b>Serial Number</b>
<b>Modified Article</b>	Fuse on the A/D Conversion Board			
<b>Reason for Modification</b>	To facilitate servicing			

To facilitate servicing, the fuse (FU601) which is soldered on the A/D conversion board has been changed. The new fuse is a socket type. Although the part number of the A/D conversion board has not been changed, the suffix of the part number printed on the board has been advanced (C2078012F to C2078012G).

Old P/N	New P/N	Description	ICA	Index	Page
11070654		Fuse - 2A - 125V/50A			
	11070585	Fuse - 2A	X/X	112	69

T. Ito, Manager  
Copier Technical Support

MODEL NAME	V/Hz	DESTINATION	CODE	SERIAL NUMBER
Rex 1160	120/60	Canada	C208 - 10	From February '91
Ges 5230	120/60	USA, Canada	C208 - 12	SI52303864
Ges 5230	110/60	Taiwan	C208 - 13	From February '91
Rex 1160	110/60	Taiwan	C208 - 14	From February '91
Ricoh SS935	120/60	USA, Canada	C208 - 17	From February '91
Ricoh SS935	110/60	Taiwan	C208 - 19	From February '91
Ges 5230	220/50	Europe	C208 - 22	523012378
Rex 1160	220/50	Europe	C208 - 24	116051273
Ricoh SS935	220,240/50	Europe, etc.	C208 - 27	2640120001
Ricoh SS935	220,240/50	Asia, etc.	C208 - 29	2641010106
Rex 1170	120/60	Canada	C207 - 10	From February '91
Ges 5270	120/60	USA, Canada	C207 - 12	SI52707512
Ges 5270	110/60	Taiwan	C207 - 13	From February '91
Rex 1170	110/60	Taiwan	C207 - 14	From February '91
Ricoh SS955	120/60	USA, Canada	C207 - 17	From February '91
Ricoh SS955	110/60	Taiwan	C207 - 19	From February '91
Ges 5270	220/50	Europe	C207 - 22	527012909
Rex 1170	220/50	Europe	C207 - 24	117051438
Ricoh SS955	220,240/50	Europe, etc.	C207 - 27	2651010001
Ricoh SS955	220,240/50	Asia, etc.	C207 - 29	2651010106

<b>Model</b>		SS935/955, Ges5230/5270, Rex1160/1170					<b>Volt/Hz</b>	<b>Date of Modification</b>	<b>Serial Number</b>	
<b>Modified Article</b>		Upper and Lower Hinge, Hinge Bracket								
<b>Reason for Modification</b>		To improve durability of the front door hinges								
Draw No.	Old Parts No.	New Parts No.	Description	A.B.C.	Q'ty Used Old → New	Inter-change-ability	Part needed for replacement by new part		Parts Catalog	
				Rank			Part No.	Description	Index No.	Page
	C2012485	C2072475	Hinge Bracket		2 → 2	X/X			23	3
	C2012481	C2072478	Upper Hinge - Front Door		1 → 1	X/X			27	3
	C2012483	C2072479	Lower Hinge - Front Door		1 → 1	X/X			21	3

Rank: A : Replace with new parts immediately.      B : Replace with new parts at time of repair.      C : Replace with new parts at time of overhaul.

Interchangeability:

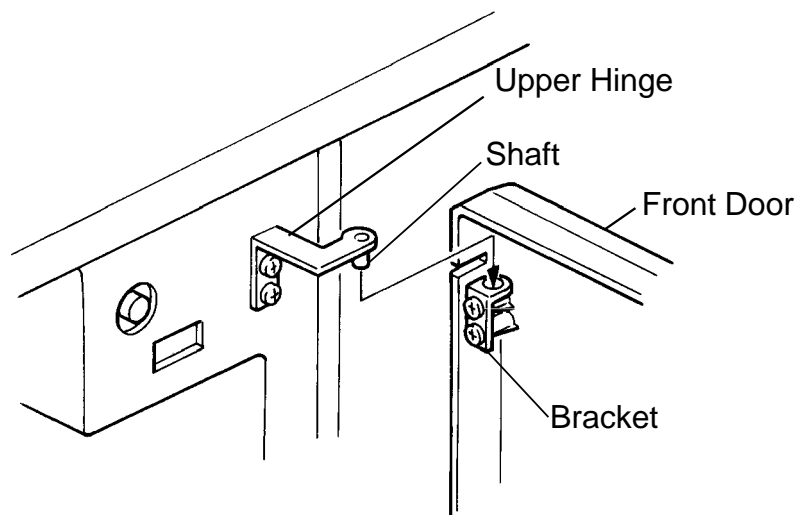
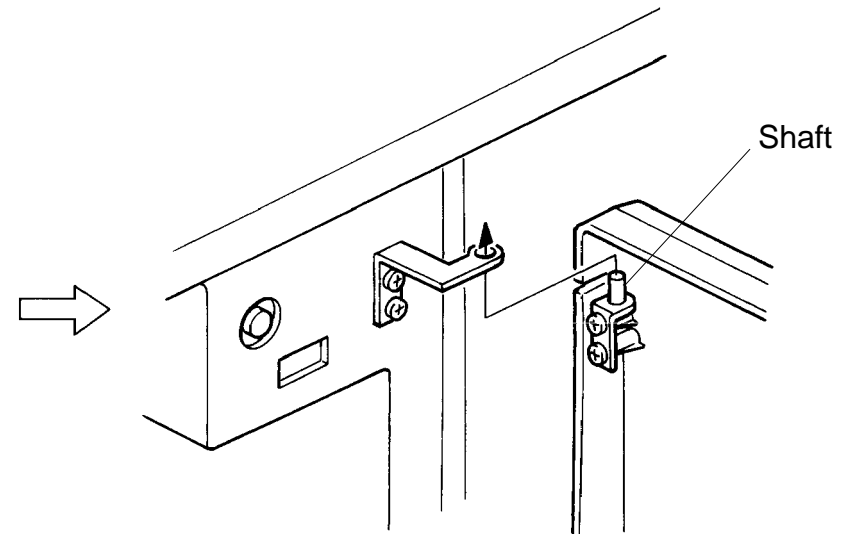
(1) When old and new parts are not mutually interchangeable, use additional parts or an assembly part as indicated in "Parts needed for replacement by new part" to install the new part.

(2) The mark to the left of the slash indicates whether the old part can be used in the new machine, and the mark to the right indicates whether the new part can be used in the old machine.    x = Not interchangeable    o = Interchangeable

**DETAILS OF MODIFICATION**

To improve durability of the front door hinges, the upper and lower hinges and the hinge brackets have been changed.

If the hinges are bent by being opened and closed roughly, the front door may get unhinged. The shaft in the hinges has been lengthened from 2.5mm to 5.9mm to prevent this. However, the shaft, which was installed in the hinges (main body side) in the old type, is now being installed in the hinge brackets (front cover side) as shown below. Therefore, there is interchangeability only as a set of the upper and lower hinges and the two brackets.

**[Old]****[New]**

T. Ito, Manager  
Copier Technical Support

MODEL NAME	V/Hz	DESTINATION	CODE	SERIAL NUMBER
Rex 1160	120/60	Canada	C208 - 10	From February '91
Ges 5230	120/60	USA, Canada	C208 - 12	SI52303864
Ges 5230	110/60	Taiwan	C208 - 13	From February '91
Rex 1160	110/60	Taiwan	C208 - 14	From February '91
Ricoh SS935	120/60	USA, Canada	C208 - 17	From February '91
Ricoh SS935	110/60	Taiwan	C208 - 19	From February '91
Ges 5230	220/50	Europe	C208 - 22	523012378
Rex 1160	220/50	Europe	C208 - 24	116051273
Ricoh SS935	220,240/50	Europe, etc.	C208 - 27	2640120001
Ricoh SS935	220,240/50	Asia, etc.	C208 - 29	2641010106
Rex 1170	120/60	Canada	C207 - 10	From February '91
Ges 5270	120/60	USA, Canada	C207 - 12	SI52707512
Ges 5270	110/60	Taiwan	C207 - 13	From February '91
Rex 1170	110/60	Taiwan	C207 - 14	From February '91
Ricoh SS955	120/60	USA, Canada	C207 - 17	From February '91
Ricoh SS955	110/60	Taiwan	C207 - 19	From February '91
Ges 5270	220/50	Europe	C207 - 22	527012909
Rex 1170	220/50	Europe	C207 - 24	117051438
Ricoh SS955	220,240/50	Europe, etc.	C207 - 27	2651010001
Ricoh SS955	220,240/50	Asia, etc.	C207 - 29	2651010106

<b>Model</b>		SS935/955, Ges5230/5270, Rex1160/1170					<b>Volt/Hz</b>	<b>Date of Modification</b>	<b>Serial Number</b>	
<b>Modified Article</b>		Print Pressure Cam								
<b>Reason for Modification</b>		To ensure the printing quality on the leading part								
Draw No.	Old Parts No.	New Parts No.	Description	A.B.C.	Q'ty Used Old → New	Inter-changeability	Part needed for replacement by new part		Parts Catalog	
				Rank			Part No.	Description	Index No.	Page
	C2005560	C2075560	Print Pressure Cam		1 → 1	X/O			19 5	25 9

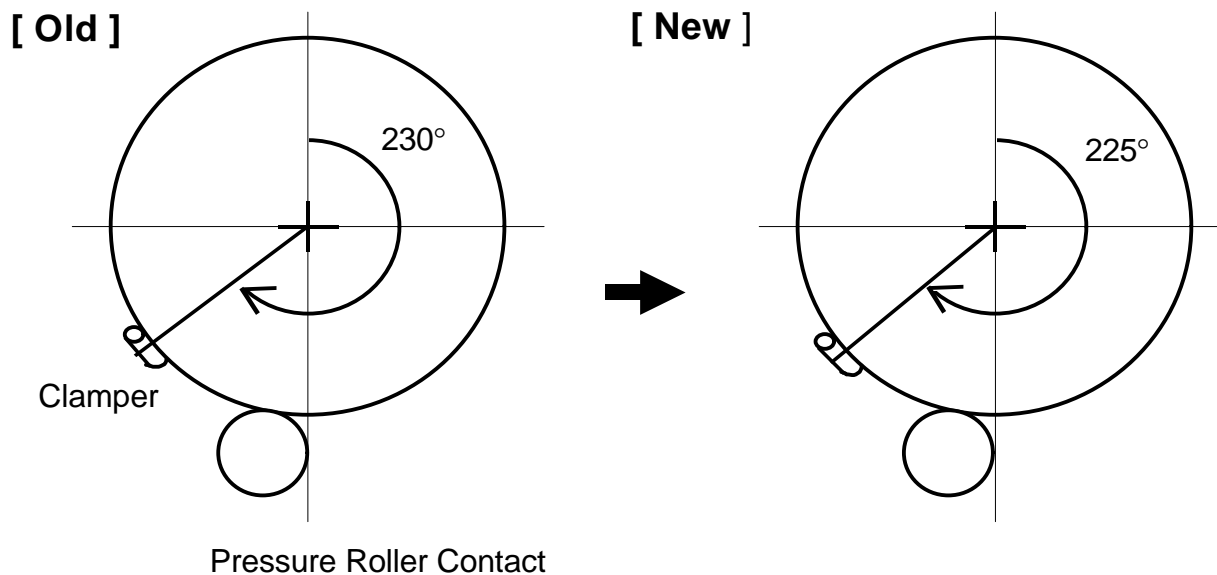
Rank: A : Replace with new parts immediately.      B : Replace with new parts at time of repair.      C : Replace with new parts at time of overhaul.  
 Interchangeability:  
 (1) When old and new parts are not mutually interchangeable, use additional parts or an assembly part as indicated in "Parts needed for replacement by new part" to install the new part.  
 (2) The mark to the left of the slash indicates whether the old part can be used in the new machine, and the mark to the right indicates whether the new part can be used in the old machine. x = Not interchangeable    o = Interchangeable



**DETAILS OF MODIFICATION**

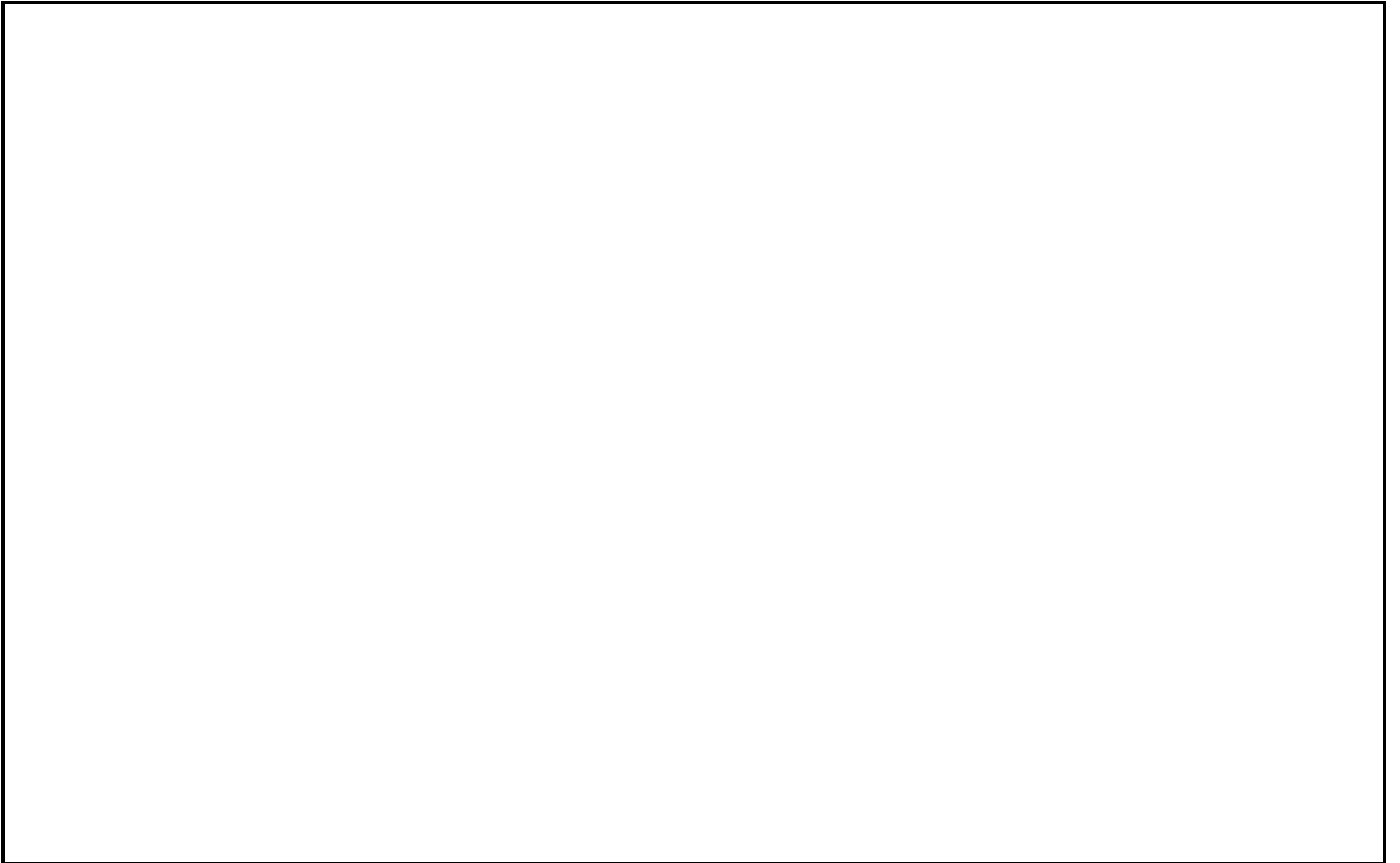
To ensure the printing quality on the leading part of the paper, the shape of the print pressure cam has been changed. If there is solid fill image on the leading part of the original and the printing speed is high (4 or 5 step), a low density horizontal band may appear about 30 millimeters from the leading edge of the print. This is caused by pressure roller bound when the pressure roller contacts the drum surface. The new print pressure cam applies the print pressure to the pressure roller 5 degrees faster in the drum rotation angle. (The pressure roller contacts the drum about 7 millimeters before the leading edge of the paper.)

NOTE: When the new print pressure cam is installed, the exit pawl timing is also changed. (The exit pawl approaches the drum 5 degrees faster in the drum rotation angle.) Therefore, it is necessary to make sure that the exit pawl does not contact the master clamber. (Readjust the exit pawl timing if necessary.)



T. Ito, Manager  
Copier Technical Support

MODEL NAME	V/Hz	DESTINATION	CODE	SERIAL NUMBER
Rex 1160	120/60	Canada	C208 - 10	After March '91
Ges 5230	120/60	USA, Canada	C208 - 12	After March '91
Ges 5230	110/60	Taiwan	C208 - 13	After March '91
Rex 1160	110/60	Taiwan	C208 - 14	After March '91
Ricoh SS935	120/60	USA, Canada	C208 - 17	After March '91
Ricoh SS935	110/60	Taiwan	C208 - 19	After March '91
Ges 5230	220/50	Europe	C208 - 22	After March '91
Rex 1160	220/50	Europe	C208 - 24	After March '91
Ricoh SS935	220,240/50	Europe, etc.	C208 - 27	2641030001
Ricoh SS935	220,240/50	Asia, etc.	C208 - 29	2641020001
Rex 1170	120/60	Canada	C207 - 10	After March '91
Ges 5270	120/60	USA, Canada	C207 - 12	SI52707572
Ges 5270	110/60	Taiwan	C207 - 13	After March '91
Rex 1170	110/60	Taiwan	C207 - 14	After March '91
Ricoh SS955	120/60	USA, Canada	C207 - 17	After March '91
Ricoh SS955	110/60	Taiwan	C207 - 19	After March '91
Ges 5270	220/50	Europe	C207 - 22	527013186
Rex 1170	220/50	Europe	C207 - 24	After March '91
Ricoh SS955	220,240/50	Europe, etc.	C207 - 27	2651030001
Ricoh SS955	220,240/50	Asia, etc.	C207 - 29	2651020001



<b>Model</b>		SS935/955, Ges5230/5270, Rex1160/1170					<b>Volt/Hz</b>	<b>Date of Modification</b>	<b>Serial Number</b>	
<b>Modified Article</b>		2nd Feed Roller Gear								
<b>Reason for Modification</b>		To improve the durability of the 2nd feed roller gear								
Draw No.	Old Parts No.	New Parts No.	Description	A.B.C.	Q'ty Used Old → New	Inter-changeability	Part needed for replacement by new part		Parts Catalog	
				Rank			Part No.	Description	Index No.	Page
	C2035231	C2075231	Gear - 14T			X/O			12	21

Rank: A : Replace with new parts immediately.      B : Replace with new parts at time of repair.      C : Replace with new parts at time of overhaul.

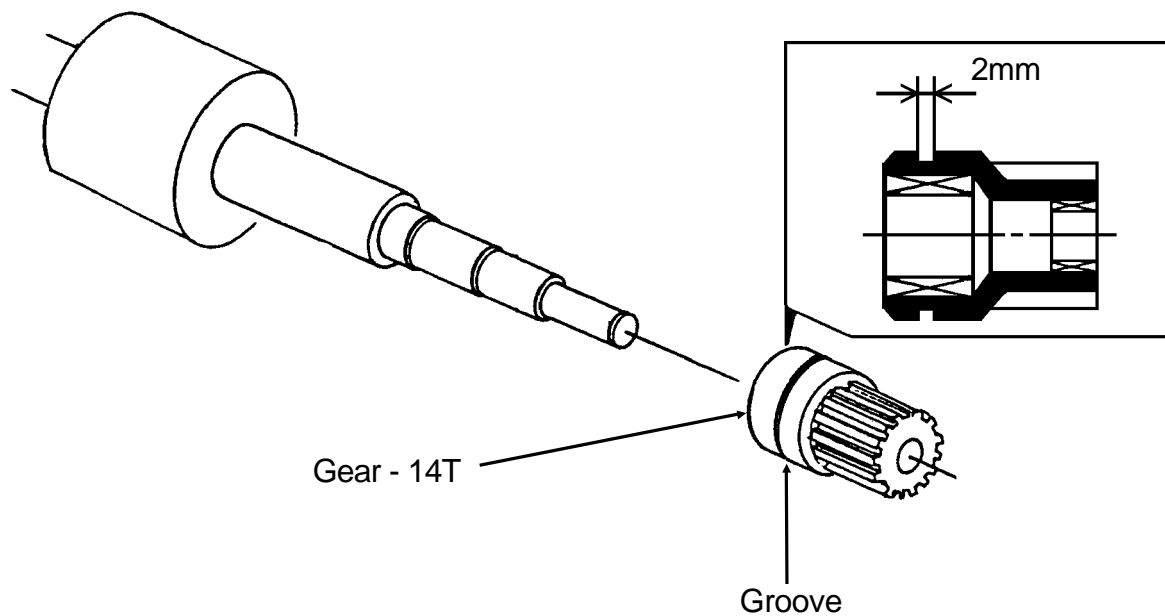
Interchangeability:

(1) When old and new parts are not mutually interchangeable, use additional parts or an assembly part as indicated in "Parts needed for replacement by new part" to install the new part.

(2) The mark to the left of the slash indicates whether the old part can be used in the new machine, and the mark to the right indicates whether the new part can be used

**DETAILS OF MODIFICATION**

It was reported that on some machines in the field, the image position varies. Although this is a very rare case, at worst this happened after making about 200,000 prints. On the problem machine, the one-way clutch inside the 2nd feed roller gear slips just when the 2nd feed rollers start feeding a sheet. (The paper feed start timing is delayed.) This makes the image position vary, i.e. move up or down in paper feed direction. After investigation, it was found that the grease inside the one-way clutch changes in quality and damages the inside surface of the clutch. The new 2nd feed roller gear contains a new type of grease that does not change in quality unlike the old one. To distinguish the new gear from the old one, a groove is made on the new gear.



T. Ito, Manager  
Copier Technical Support

MODEL NAME	V/Hz	DESTINATION	CODE	SERIAL NUMBER
Rex 1160	120/60	Canada	C208 - 10	Service Parts Only
Ges 5230	120/60	USA, Canada	C208 - 12	Service Parts Only
Ges 5230	110/60	Taiwan	C208 - 13	Service Parts Only
Rex 1160	110/60	Taiwan	C208 - 14	Service Parts Only
Ricoh SS935	120/60	USA, Canada	C208 - 17	Service Parts Only
Ricoh SS935	110/60	Taiwan	C208 - 19	Service Parts Only
Ges 5230	220/50	Europe	C208 - 22	Service Parts Only
Rex 1160	220/50	Europe	C208 - 24	Service Parts Only
Ricoh SS935	220,240/50	Europe, etc.	C208 - 27	Service Parts Only
Ricoh SS935	220,240/50	Asia, etc.	C208 - 29	Service Parts Only
Rex 1170	120/60	Canada	C207 - 10	Service Parts Only
Ges 5270	120/60	USA, Canada	C207 - 12	Service Parts Only
Ges 5270	110/60	Taiwan	C207 - 13	Service Parts Only
Rex 1170	110/60	Taiwan	C207 - 14	Service Parts Only
Ricoh SS955	120/60	USA, Canada	C207 - 17	Service Parts Only
Ricoh SS955	110/60	Taiwan	C207 - 19	Service Parts Only
Ges 5270	220/50	Europe	C207 - 22	Service Parts Only
Rex 1170	220/50	Europe	C207 - 24	Service Parts Only
Ricoh SS955	220,240/50	Europe, etc.	C207 - 27	Service Parts Only
Ricoh SS955	220,240/50	Asia, etc.	C207 - 29	Service Parts Only

<b>Model</b>	S935/955, Ges5230/5270, Rex1160/1170	<b>Volt/Hz</b>	<b>Date of Modification</b>	<b>Serial Number</b>
<b>Modified Article</b>	Master Eject Hinge			
<b>Reason for Modification</b>	Parts standardization with the other models			

Due to parts standardization with the other models (VT series), the following part has been changed.

Old P/N	New P/N	Description	ICA	Page	Index
C2003517	C2133517	Master Eject Hinge	O/O	55	6

T. Ito, Manager  
Copier Technical Support

MODEL NAME	V/Hz	DESTINATION	CODE	SERIAL NUMBER
Rex 1160	120/60	Canada	C208 - 10	Service Parts Only
Ges 5230	120/60	USA, Canada	C208 - 12	Service Parts Only
Ges 5230	110/60	Taiwan	C208 - 13	Service Parts Only
Rex 1160	110/60	Taiwan	C208 - 14	Service Parts Only
Ricoh SS935	120/60	USA, Canada	C208 - 17	Service Parts Only
Ricoh SS935	110/60	Taiwan	C208 - 19	Service Parts Only
Ges 5230	220/50	Europe	C208 - 22	Service Parts Only
Rex 1160	220/50	Europe	C208 - 24	Service Parts Only
Ricoh SS935	220,240/50	Europe, etc.	C208 - 27	Service Parts Only
Ricoh SS935	220,240/50	Asia, etc.	C208 - 29	Service Parts Only
Rex 1170	120/60	Canada	C207 - 10	Service Parts Only
Ges 5270	120/60	USA, Canada	C207 - 12	Service Parts Only
Ges 5270	110/60	Taiwan	C207 - 13	Service Parts Only
Rex 1170	110/60	Taiwan	C207 - 14	Service Parts Only
Ricoh SS955	120/60	USA, Canada	C207 - 17	Service Parts Only
Ricoh SS955	110/60	Taiwan	C207 - 19	Service Parts Only
Ges 5270	220/50	Europe	C207 - 22	Service Parts Only
Rex 1170	220/50	Europe	C207 - 24	Service Parts Only
Ricoh SS955	220,240/50	Europe, etc.	C207 - 27	Service Parts Only
Ricoh SS955	220,240/50	Asia, etc.	C207 - 29	Service Parts Only



Model		SS935/955, Ges5230/5270, Rex1160/1170					Volt/Hz	Date of Modification	Serial Number	
Modified Article		Paper detecting arm								
Reason for Modification		To improve strength and durability of the paper detecting arm								
Draw No.	Old Parts No.	New Parts No.	Description	A.B.C.	Q'ty Used Old → New	Inter-changeability	Part needed for replacement by new part		Parts Catalog	
				Rank			Part No.	Description	Index No.	Page
	C2035515	C2095515	Paper Detecting Arm			X/X	X/O as a set		13	21
	08046090		Hexagon Bolt - M4						105	21
	07130040B		Hexagon Nut - M4						106	21
		05730050E	Hexagon Headless Set Screw - M3 x 5			X/X			* 113	21

Rank: A : Replace with new parts immediately. B : Replace with new parts at time of repair. C : Replace with new parts at time of overhaul.

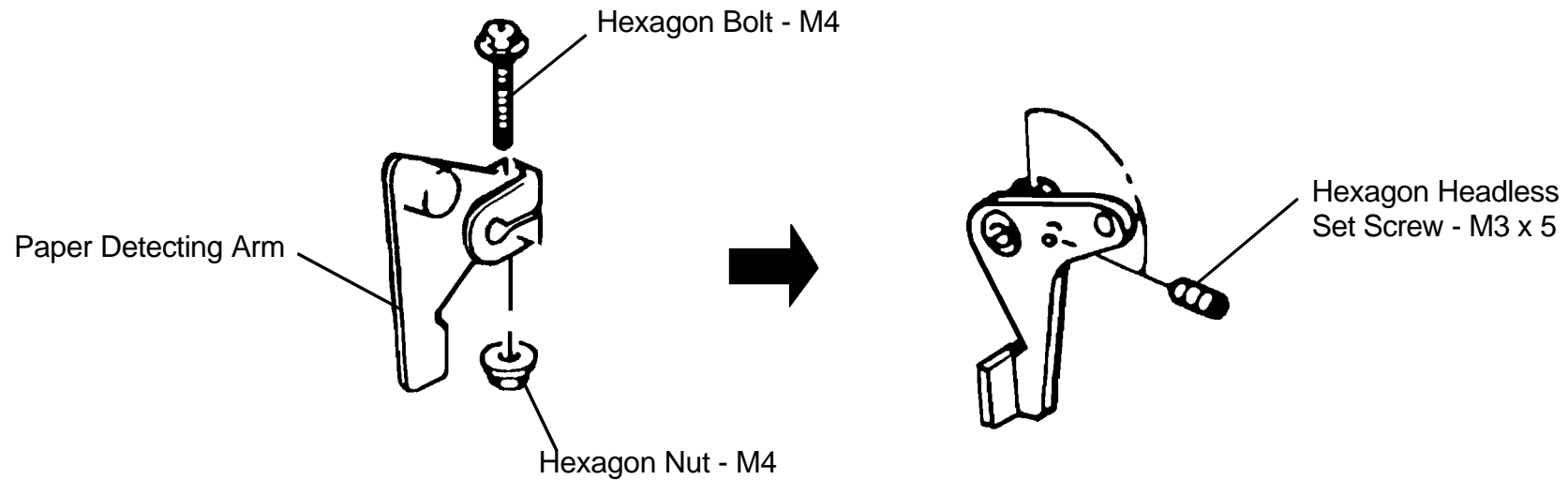
Interchangeability:

(1) When old and new parts are not mutually interchangeable, use additional parts or an assembly part as indicated in "Parts needed for replacement by new part" to install the new part.

(2) The mark to the left of the slash indicates whether the old part can be used in the new machine, and the mark to the right indicates whether the new part can be used

DETAILS OF MODIFICATION

To improve strength and durability, the paper detecting arm has been changed to the type used on the NA2 (C210).



T. Ito, Manager  
Copier Technical Support

MODEL NAME	V/Hz	DESTINATION	CODE	SERIAL NUMBER
Rex 1160	120/60	Canada	C208 - 10	Service Parts Only
Ges 5230	120/60	USA, Canada	C208 - 12	Service Parts Only
Ges 5230	110/60	Taiwan	C208 - 13	Service Parts Only
Rex 1160	110/60	Taiwan	C208 - 14	Service Parts Only
Ricoh SS935	120/60	USA, Canada	C208 - 17	Service Parts Only
Ricoh SS935	110/60	Taiwan	C208 - 19	Service Parts Only
Ges 5230	220/50	Europe	C208 - 22	Service Parts Only
Rex 1160	220/50	Europe	C208 - 24	Service Parts Only
Ricoh SS935	220,240/50	Europe, etc.	C208 - 27	Service Parts Only
Ricoh SS935	220,240/50	Asia, etc.	C208 - 29	Service Parts Only
Rex 1170	120/60	Canada	C207 - 10	Service Parts Only
Ges 5270	120/60	USA, Canada	C207 - 12	Service Parts Only
Ges 5270	110/60	Taiwan	C207 - 13	Service Parts Only
Rex 1170	110/60	Taiwan	C207 - 14	Service Parts Only
Ricoh SS955	120/60	USA, Canada	C207 - 17	Service Parts Only
Ricoh SS955	110/60	Taiwan	C207 - 19	Service Parts Only
Ges 5270	220/50	Europe	C207 - 22	Service Parts Only
Rex 1170	220/50	Europe	C207 - 24	Service Parts Only
Ricoh SS955	220,240/50	Europe, etc.	C207 - 27	Service Parts Only
Ricoh SS955	220,240/50	Asia, etc.	C207 - 29	Service Parts Only

<b>Model</b>		SS935/955, Ges5230/5270, Rex1160/1170					<b>Volt/Hz</b>	<b>Date of Modification</b>	<b>Serial Number</b>	
<b>Modified Article</b>		Feed Roller Arm								
<b>Reason for Modification</b>		To prevent the feed roller arm from touching the paper feed side plate								
Draw No.	Old Parts No.	New Parts No.	Description	A.B.C.	Q'ty Used Old → New	Inter-changeability	Part needed for replacement by new part		Parts Catalog	
				Rank			Part No.	Description	Index No.	Page
	C2035058	C2095035	Feed Roller Arm			X/O			3	15

Rank: A : Replace with new parts immediately.      B : Replace with new parts at time of repair.      C : Replace with new parts at time of overhaul.

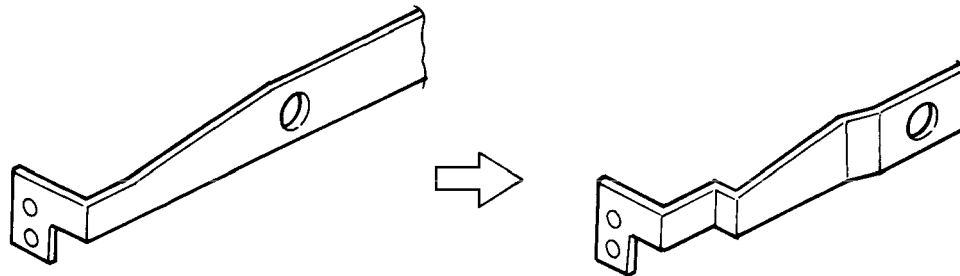
Interchangeability:

(1) When old and new parts are not mutually interchangeable, use additional parts or an assembly part as indicated in "Parts needed for replacement by new part" to install the new part.

(2) The mark to the left of the slash indicates whether the old part can be used in the new machine, and the mark to the right indicates whether the new part can be used

DETAILS OF MODIFICATION

When the paper table is lowered, the feed roller arm contacts the side pad lever if the paper feed side plates are fully opened. To prevent this, the shape of the feed roller arm has been changed as shown in the illustration below.



MODEL NAME	V/Hz	DESTINATION	CODE	SERIAL NUMBER
Rex 1160	120/60	Canada	C208 - 10	Service Parts Only
Ges 5230	120/60	USA, Canada	C208 - 12	Service Parts Only
Ges 5230	110/60	Taiwan	C208 - 13	Service Parts Only
Rex 1160	110/60	Taiwan	C208 - 14	Service Parts Only
Ricoh SS935	120/60	USA, Canada	C208 - 17	Service Parts Only
Ricoh SS935	110/60	Taiwan	C208 - 19	Service Parts Only
Ges 5230	220/50	Europe	C208 - 22	Service Parts Only
Rex 1160	220/50	Europe	C208 - 24	Service Parts Only
Ricoh SS935	220,240/50	Europe, etc.	C208 - 27	Service Parts Only
Ricoh SS935	220,240/50	Asia, etc.	C208 - 29	Service Parts Only
Rex 1170	120/60	Canada	C207 - 10	Service Parts Only
Ges 5270	120/60	USA, Canada	C207 - 12	Service Parts Only
Ges 5270	110/60	Taiwan	C207 - 13	Service Parts Only
Rex 1170	110/60	Taiwan	C207 - 14	Service Parts Only
Ricoh SS955	120/60	USA, Canada	C207 - 17	Service Parts Only
Ricoh SS955	110/60	Taiwan	C207 - 19	Service Parts Only
Ges 5270	220/50	Europe	C207 - 22	Service Parts Only
Rex 1170	220/50	Europe	C207 - 24	Service Parts Only
Ricoh SS955	220,240/50	Europe, etc.	C207 - 27	Service Parts Only
Ricoh SS955	220,240/50	Asia, etc.	C207 - 29	Service Parts Only

Model		SS935/955, Ges5230/5270, Rex1160/1170					Volt/Hz	Date of Modification	Serial Number	
Modified Article		Left and Right Guide Plates								
Reason for Modification		Parts standardization with the priport VT series								
Draw No.	Old Parts No.	New Parts No.	Description	A.B.C.	Q'ty Used Old → New	Inter-changeability	Part needed for replacement by new part		Parts Catalog	
				Rank			Part No.	Description	Index No.	Page
	C2076118	C2136118	Left Guide Plate		1 → 1	O/O			2	31
	C2076119	C2136119	Right Guide Plate		1 → 1	O/O			7	31

Rank: A : Replace with new parts immediately.      B : Replace with new parts at time of repair.      C : Replace with new parts at time of overhaul.

Interchangeability:

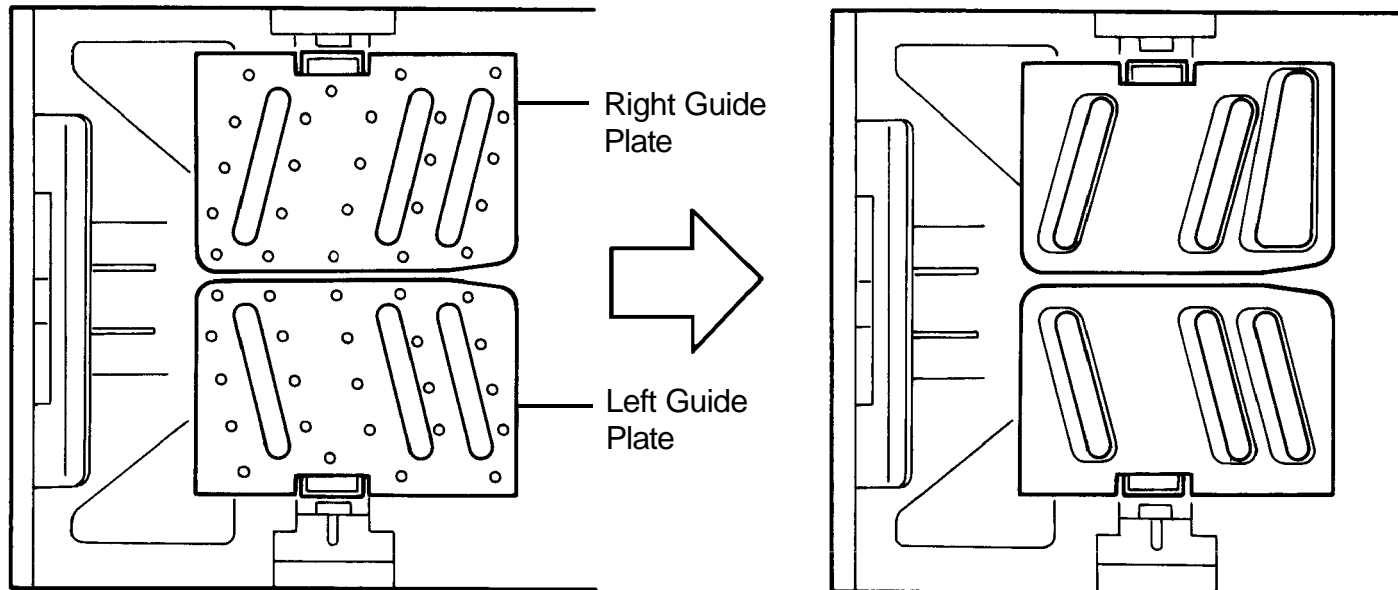
(1) When old and new parts are not mutually interchangeable, use additional parts or an assembly part as indicated in "Parts needed for replacement by new part" to install the new part.

(2) The mark to the left of the slash indicates whether the old part can be used in the new machine, and the mark to the right indicates whether the new part can be used

**DETAILS OF MODIFICATION**

Due to parts standardization with the priort VT2000 series. The left and right guide plates have been changed. The difference between the new and old plates is only in the appearance of the backside. In addition the new right guide plate has a larger cutout than that of the old ones. This enables the machine to be installed on the tape dispenser unit.

NOTE : On the production line the right and left guide plates have been changed as a set to match the appearance. However, they are interchangeable with each other in the field because they have the same function.



T. Ito, Manager  
Copier Technical Support



MODEL NAME	V/Hz	DESTINATION	CODE	SERIAL NUMBER
Rex 1160	120/60	Canada	C208 - 10	Service Parts Only
Ges 5230	120/60	USA, Canada	C208 - 12	Service Parts Only
Ges 5230	110/60	Taiwan	C208 - 13	Service Parts Only
Rex 1160	110/60	Taiwan	C208 - 14	Service Parts Only
Ricoh SS935	120/60	USA, Canada	C208 - 17	Service Parts Only
Ricoh SS935	110/60	Taiwan	C208 - 19	Service Parts Only
Ges 5230	220/50	Europe	C208 - 22	Service Parts Only
Rex 1160	220/50	Europe	C208 - 24	Service Parts Only
Ricoh SS935	220,240/50	Europe, etc.	C208 - 27	Service Parts Only
Ricoh SS935	220,240/50	Asia, etc.	C208 - 29	Service Parts Only
Rex 1170	120/60	Canada	C207 - 10	Service Parts Only
Ges 5270	120/60	USA, Canada	C207 - 12	Service Parts Only
Ges 5270	110/60	Taiwan	C207 - 13	Service Parts Only
Rex 1170	110/60	Taiwan	C207 - 14	Service Parts Only
Ricoh SS955	120/60	USA, Canada	C207 - 17	Service Parts Only
Ricoh SS955	110/60	Taiwan	C207 - 19	Service Parts Only
Ges 5270	220/50	Europe	C207 - 22	Service Parts Only
Rex 1170	220/50	Europe	C207 - 24	Service Parts Only
Ricoh SS955	220,240/50	Europe, etc.	C207 - 27	Service Parts Only
Ricoh SS955	220,240/50	Asia, etc.	C207 - 29	Service Parts Only

Model		SS935/955, Ges5230/5270, Rex1160/1170					Volt/Hz	Date of Modification	Serial Number	
Modified Article		Scanner Unit Lock Lever								
Reason for Modification		To facilitate servicing								
Draw No.	Old Parts No.	New Parts No.	Description	A.B.C.	Q'ty Used Old → New	Inter-changeability	Part needed for replacement by new part		Parts Catalog	
				Rank			Part No.	Description	Index No.	Page
	C2033031	C2033030	Grip Bracket - Ricoh			X/O			10	45
	C2033120	C2033118	Grip Bracket - Ges			X/O			10	45
	C2033141	C2033140	Grip Bracket - Rex			X/O			10	45
	C2033032	C2133032	Lock Lever			X/X	X/O as a set		33	45
	C2033033	C2133033	Lock Lever - Transmission			X/X			25	45
	05530100E		Allen Screw - M3 x 10			X/O			116	45
		05530060E	Allen Screw - M3 x 6							

Rank: A : Replace with new parts immediately. B : Replace with new parts at time of repair. C : Replace with new parts at time of overhaul.  
 Interchangeability:  
 (1) When old and new parts are not mutually interchangeable, use additional parts or an assembly part as indicated in "Parts needed for replacement by new part" to install the new part.  
 (2) The mark to the left of the slash indicates whether the old part can be used in the new machine, and the mark to the right indicates whether the new part can be used in the old machine. x = Not interchangeable o = Interchangeable

<b>Model</b>	SS935/955, Ges5230/5270, Rex1160/1170	<b>Volt/Hz</b>	<b>Date of Modification</b>	<b>Serial Number</b>
<b>Modified Article</b>	Main Control Board			
<b>Reason for Modification</b>	Parts standardization			

Due to parts standardization, the main control board of C207/C208 has been changed. Interchangeability between the new board and the old board is O/O. Part numbers of the new board and ROM are the same as the old ones but the suffix of the board has been changed from D to E. The new board is supplied as a service part only. Subcomponents of the new board are as follows:

P/N	Symbol No.	Description	Page	Index No.
11010328	TP101 - 104, 110	Connector Pin Contact	63	1
11024327	CN105	Connector - 60P	63	2
11024970	CN102	Connector - 50P	63	3
11030740	CN103	Connector - 6P	63	4
11031296	CN101	Connector - 50P	63	5
11031523	CN104	Connector - 40P	63	6
14072853	IC130	IC - LH5116 - 15	63	7
11040342	IC110	IC Socket - 28P	63	8
11040564	(F101, F102)	Fuse Socket	63	9
11070585	F101	Fuse - 50A 125V	63	10
11070625	F102	Fuse - 5A 125V	63	11
12041324	DPS101	DIP Switch	63	12
12041327	DPS102	DIP Switch	63	13
14000100	Q104	Transistor 2SA683	63	14
14000282	Q101, 103	Transistor 2SC2308	63	15

**NOTE:**  
Subcomponents of the old board are still available.

P/N	Symbol No.	Description	Page	Index No.
14000368	Q106 - 108	Transistor 2SC3325	63	16
14000431	Q105	Transistor 2SC3615	63	17
14010401	Q102	Transistor 2SD1194	63	18
14010342	TAY101, 102	Transistor Array - STA421A	63	19
14010400	TAY103	Transistor Array - SLA4060	63	20
14010807	DAY101 - 108	Diode - Array	63	21
14010835	D104 - 114	Diode - ISS190	63	22
14020979	ZD101	Diode - 16V 500MW	63	23
14020110	D101 - 103	Diode - V06C	63	24
14030558	LED101 - 106	LED - SEL2110RTP3	63	25
14030238	PC101	IC - TLP521	63	26
14010876	IC105, 107	IC - PA2003GR	63	27
14010877	IC101	IC - TD62083F	63	28
14071151	IC106	IC - D - 8085AC - 2	63	29
14073701	IC118	IC - TMP82C79M - 2	63	30
14071882	IC104	IC - 74LS373	63	31
14072057	IC102, 108, 129	IC - 82C55AFP - 5	63	32
14072077	IC109, 117	IC - SN74LS138NS	63	33
14072089	IC113	IC - TC4024BF	63	34
14072187	IC115, 116	IC - SN74LS07NS	63	35

P/N	Symbol No.	Description	Page	Index No.
14072218	IC119	IC - SN74LS06NS	63	36
14072273	IC122 - 124	IC - TA8050P	63	37
14072348	IC111	IC - TC4051BF	63	38
14072404	IC126	IC - M5M81C55FP - 2	63	39
14071741	IC131	TTLIC - SN74LS32NS	63	40
14080454	IC127	IC - UPC35BG	63	41
14080471	IC114	IC - TCA955	63	42
14080494	IC103	IC - MB3371P	63	43
14080595	IC112	IC - NJM2904M	63	44
14080606	IC120, 121	IC - UPC339G	63	45
14080790	IC125, 128	IC - UPC324G	63	46
15030333	OSC101	Ceramic Oscillator - 6.00MG	63	47
16001095	R101 - 108	Resistor Array - 120 $\Omega$ 1/80W $\pm$ 5%	63	48
16017287	RAY114	Resistor Array - 22K $\Omega$ 1/80W $\pm$ 5%	63	49
16017367	RAY105	Resistor Array - 330 $\Omega$	63	50
16017374	RAY101 - 103	Resistor Array - 4.7K $\Omega$	63	51
16017376	RAY109, 111 - 113	Resistor Array - 10K $\Omega$ 1/80W $\pm$ 5%	63	52
16017377	RAY104, 108	Resistor Array - 15K $\Omega$ 1/80W $\pm$ 5%	63	53
16017404	RAY106, 107	Resistor Array - 10K $\Omega$ 1/2W	63	54
16017566	RAY110	Resistor Array - 22K $\Omega$ 1/80W $\pm$ 5%	63	55

P/N	Symbol No.	Description	Page	Index No.
16018145	VR101	Variable Resistor - 5K $\Omega$ 0.5W	63	56
16018157	VR102 - VR105	Variable Resistor - 100K $\Omega$	63	57
16041382	C104, 152	Capacitor - 10 $\mu$ F 50V	63	58
16041386	C110 - 113	Capacitor - 100 $\mu$ F $\pm$ 20% 50V	63	59
16050226	C133 - 136	Capacitor - 1000PF 50V	63	60
16050234	C155 - 159	Capacitor - 220PF 50V	63	61
16061452	C118 - 132, 137 - 149 C151, 153, 154, 160	Capacitor - 0.01 $\mu$ F 50V	63	62
16061638	C103	Capacitor - 0.22MF 50V	63	63
16061832	C102	Capacitor - 0.015 $\mu$ F 25V $\pm$ 5%	63	64
16061833	C105, 108, 109	Capacitor - 0.022NF 25V $\pm$ 5%	63	65
16061834	C114 - 117	Capacitor - 0.033NF 25V $\pm$ 5%	63	66
16061835	C106, 107, 150	Capacitor - 0.1NF 25V $\pm$ 5%	63	67
16070001	L101	Coil - SN - 85 - 500	63	68
16302102	R142, 201, 225, 226	Resistor - 10K $\Omega$ 1/8W	63	69
16302103	R135, 137, 187, 215, R221	Resistor - 10K $\Omega$ 1/8W	63	70
16302104	R207	Resistor - 100K $\Omega$ 1/8W $\pm$ 5%	63	71
16302113	R176, 186	Resistor - 11K $\Omega$ 1/8W $\pm$ 5%	63	72
16302122	R181, 200	Resistor - 1.2K $\Omega$ 1/8W $\pm$ 5%	63	73
16302123	R202	Resistor - 12K $\Omega$ 1/8W $\pm$ 5%	63	74

P/N	Symbol No.	Description	Page	Index No.
16302124	R199	Resistor - 120K $\Omega$ 1/8W $\pm$ 5%	63	75
16302132	R155	Resistor - 113K $\Omega$	63	76
16302133	R206	Resistor - 13K $\Omega$ 1/8W $\pm$ 5%	63	77
16302151	R148, 158, 164, 175	Resistor - 150 $\Omega$ 1/8W $\pm$ 5%	63	78
16302152	R210	Resistor - 1.5K $\Omega$ 1/8W $\pm$ 5%	63	79
16302203	R182, 204	Resistor - 20K $\Omega$	63	80
166302221	R220	Resistor - 220K $\Omega$	63	81
16302223	R165, 166, 168, 169 R188, 192 - 194, 222	Resistor - 22K $\Omega$ 1/8W $\pm$ 5%	63	82
16302241	R184	Resistor - 2400 $\Omega$	63	83
16302242	R189	Resistor - 2.4K $\Omega$ 1/8W	63	84
16302243	R161, 162, 172, 173	Resistor - 24K $\Omega$ 1/8W $\pm$ 5%	63	85
16302244	R136	Resistor - 240K $\Omega$ 1/8W $\pm$ 5%	63	86
16302302	R191	Resistor - 3K $\Omega$ 1/8W $\pm$ 5%	63	87
16302330	R190	Resistor - 33 $\Omega$ 1/8W $\pm$ 5%	63	88
16302332	R140, 141, 145 - 147 R150, 151, 154, 156 R157, 216	Resistor - 3.3K $\Omega$ 1/8W $\pm$ 5%	63	89
16302334	R129, 131	Resistor - 330K $\Omega$	63	90
16302361	R217	Resistor - 360K $\Omega$	63	91
16302362	R196	Resistor - 3.6K $\Omega$ 1/8W $\pm$ 5%	63	92

P/N	Symbol No.	Description	Page	Index No.
16302392	R160, 163, 171, 174, 218	Resistor - 3.9K $\Omega$	63	93
16302393	R183	Resistor - 39K $\Omega$ 1/8W $\pm$ 5%	63	94
16302432	R121 - 124, 139, 197	Resistor - 4.3K $\Omega$ 1/8W $\pm$ 5%	63	95
16302471	178 - 180, 223	Resistor - 470K $\Omega$ 1/8W $\pm$ 5%	63	96
16302472	R109, 208, 209 R211 - 214, 232	Resistor - 4.7K $\Omega$ 1/8W $\pm$ 5%	63	97
16302473	R130, 134, 177, 231	Resistor - 47K $\Omega$ 1/8W $\pm$ 5%	63	98
16302513	R203	Resistor - 51K $\Omega$ 1/8W $\pm$ 5%	63	99
16302514	R138	Resistor - 510K $\Omega$ 1/8W $\pm$ 5%	63	100
16302562	R198	Resistor - 5.6K $\Omega$	63	101
16302683	R132, 143, 144, 152, 153	Resistor - 68K $\Omega$ 1/8W $\pm$ 5%	63	102
16302752	R185, 195	Resistor - 7.5K $\Omega$ 1/8W $\pm$ 5%	63	103
16302822	R133, 224	Resistor - 8.2K $\Omega$	63	104
16302823	R205	Resistor - 82K $\Omega$ 1/8W $\pm$ 5%	63	105
16302824	R149, 159, 167, 170	Resistor - 820K $\Omega$ 1/8W $\pm$ 5%	63	106
16302912	R219	Resistor - 9.1K $\Omega$	63	107
16116151	R125, 126	Resistor - 150K $\Omega$ 1/2W	63	108
16116102	R111	Resistor - 1K $\Omega$ 1/2T $\pm$ 5%	63	109
16116222	R112	Resistor - 2.2K $\Omega$ 1/2W $\pm$ 5%	63	110
16116331	R113 - 120, 127, 128	Resistor - 330K $\Omega$ 1/2T	63	111
16116361	R110	Resistor - 360K $\Omega$ 1/8W $\pm$ 5%	63	112

T. Ito, Manager  
Copier Technical Support



MODEL NAME	V/Hz	DESTINATION	CODE	SERIAL NUMBER
Rex 1160	120/60	Canada	C208 - 10	Service Parts Only
Ges 5230	120/60	USA, Canada	C208 - 12	Service Parts Only
Ges 5230	110/60	Taiwan	C208 - 13	Service Parts Only
Rex 1160	110/60	Taiwan	C208 - 14	Service Parts Only
Ricoh SS935	120/60	USA, Canada	C208 - 17	Service Parts Only
Ricoh SS935	110/60	Taiwan	C208 - 19	Service Parts Only
Ges 5230	220/50	Europe	C208 - 22	Service Parts Only
Rex 1160	220/50	Europe	C208 - 24	Service Parts Only
Ricoh SS935	220,240/50	Europe, etc.	C208 - 27	Service Parts Only
Ricoh SS935	220,240/50	Asia, etc.	C208 - 29	Service Parts Only
Rex 1170	120/60	Canada	C207 - 10	Service Parts Only
Ges 5270	120/60	USA, Canada	C207 - 12	Service Parts Only
Ges 5270	110/60	Taiwan	C207 - 13	Service Parts Only
Rex 1170	110/60	Taiwan	C207 - 14	Service Parts Only
Ricoh SS955	120/60	USA, Canada	C207 - 17	Service Parts Only
Ricoh SS955	110/60	Taiwan	C207 - 19	Service Parts Only
Ges 5270	220/50	Europe	C207 - 22	Service Parts Only
Rex 1170	220/50	Europe	C207 - 24	Service Parts Only
Ricoh SS955	220,240/50	Europe, etc.	C207 - 27	Service Parts Only
Ricoh SS955	220,240/50	Asia, etc.	C207 - 29	Service Parts Only

<b>Model</b>	SS935/955, Ges5230/5270, Rex1160/1170	<b>Volt/Hz</b>	<b>Date of Modification</b>	<b>Serial Number</b>
<b>Modified Article</b>	Ink Antechamber			
<b>Reason for Modification</b>	Vender change			

Due to vendor change, the ink antechamber has been changed. The interchangeability is O/O.

Old Part Number	New Part Number	Description	Page	Index
C2004810	C2134810	Ink Antechamber	33	20

T. Ito, Manager  
Copier Technical Support

MODEL NAME	V/Hz	DESTINATION	CODE	SERIAL NUMBER
Rex 1160	120/60	Canada	C208 - 10	Service Parts Only
Ges 5230	120/60	USA, Canada	C208 - 12	Service Parts Only
Ges 5230	110/60	Taiwan	C208 - 13	Service Parts Only
Rex 1160	110/60	Taiwan	C208 - 14	Service Parts Only
Ricoh SS935	120/60	USA, Canada	C208 - 17	Service Parts Only
Ricoh SS935	110/60	Taiwan	C208 - 19	Service Parts Only
Ges 5230	220/50	Europe	C208 - 22	Service Parts Only
Rex 1160	220/50	Europe	C208 - 24	Service Parts Only
Ricoh SS935	220,240/50	Europe, etc.	C208 - 27	Service Parts Only
Ricoh SS935	220,240/50	Asia, etc.	C208 - 29	Service Parts Only
Rex 1170	120/60	Canada	C207 - 10	Service Parts Only
Ges 5270	120/60	USA, Canada	C207 - 12	Service Parts Only
Ges 5270	110/60	Taiwan	C207 - 13	Service Parts Only
Rex 1170	110/60	Taiwan	C207 - 14	Service Parts Only
Ricoh SS955	120/60	USA, Canada	C207 - 17	Service Parts Only
Ricoh SS955	110/60	Taiwan	C207 - 19	Service Parts Only
Ges 5270	220/50	Europe	C207 - 22	Service Parts Only
Rex 1170	220/50	Europe	C207 - 24	Service Parts Only
Ricoh SS955	220,240/50	Europe, etc.	C207 - 27	Service Parts Only
Ricoh SS955	220,240/50	Asia, etc.	C207 - 29	Service Parts Only



<b>Model</b>		SS935/955, Ges5230/5270, Rex1160/1170					<b>Volt/Hz</b>	<b>Date of Modification</b>	<b>Serial Number</b>	
<b>Modified Article</b>		Master Eject Sensor								
<b>Reason for Modification</b>		To increase reliability								
<b>Draw No.</b>	<b>Old Parts No.</b>	<b>New Parts No.</b>	<b>Description</b>	<b>A.B.C.</b>	<b>Q'ty Used Old → New</b>	<b>Inter-changeability</b>	<b>Part needed for replacement by new part</b>		<b>Parts Catalog</b>	
				<b>Rank</b>			<b>Part No.</b>	<b>Description</b>	<b>Index No.</b>	<b>Page</b>
	C2078081		Master Eject Sensor Harness							
		C2133560	Master Eject Sensor		1 → 1	X/O			26	55

Rank: A : Replace with new parts immediately.      B : Replace with new parts at time of repair.      C : Replace with new parts at time of overhaul.

Interchangeability:

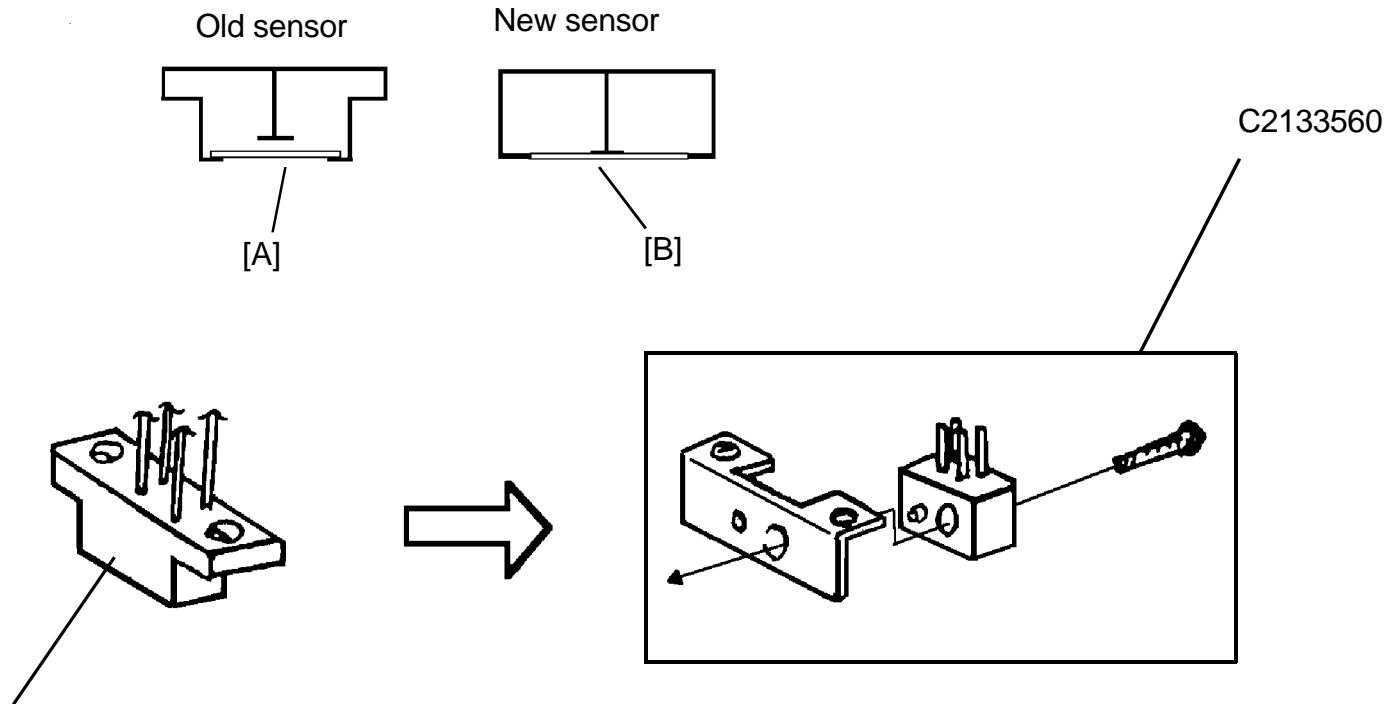
(1) When old and new parts are not mutually interchangeable, use additional parts or an assembly part as indicated in "Parts needed for replacement by new part" to install the new part.

(2) The mark to the left of the slash indicates whether the old part can be used in the new machine, and the mark to the right indicates whether the new part can be used in the old machine.    x = Not interchangeable    o = Interchangeable

**DETAILS OF MODIFICATION**

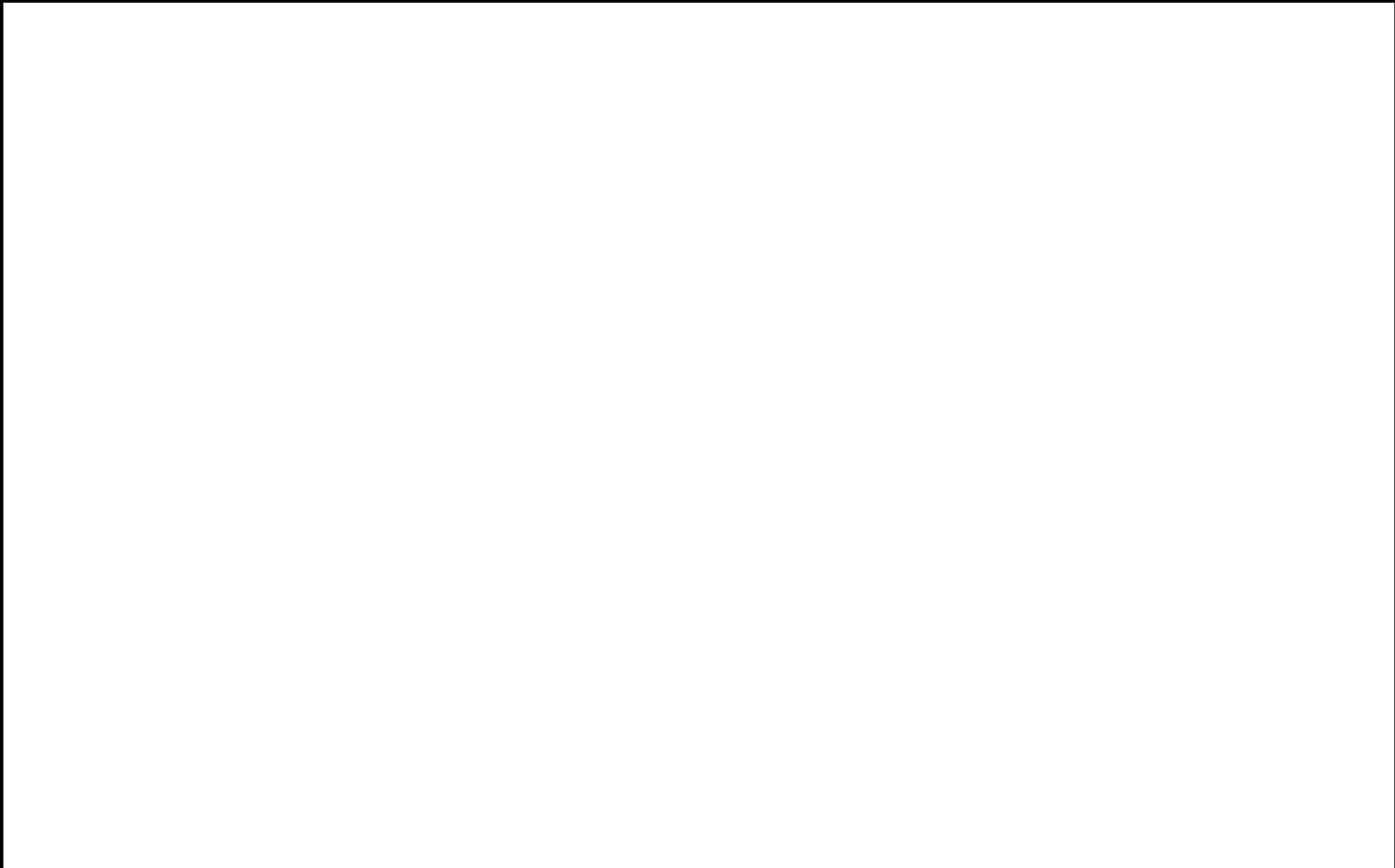
It is sometimes reported that the master eject sensor does not detect the ejected master. This problem happened when the filter [A] was out of position. To prevent this, the drum master detection sensor has been modified. The filter [B] of the new sensor is fixed in position.

The new part C2133560 consists of a photosensor, a bracket and a screw. They are supplied as an assembly.



T. Ito, Manager  
Copier Technical Support

MODEL NAME	V/Hz	DESTINATION	CODE	SERIAL NUMBER
Rex 1160	120/60	Canada	C208 - 10	Service Parts Only
Ges 5230	120/60	USA, Canada	C208 - 12	Service Parts Only
Ges 5230	110/60	Taiwan	C208 - 13	Service Parts Only
Rex 1160	110/60	Taiwan	C208 - 14	Service Parts Only
Ricoh SS935	120/60	USA, Canada	C208 - 17	Service Parts Only
Ricoh SS935	110/60	Taiwan	C208 - 19	Service Parts Only
Ges 5230	220/50	Europe	C208 - 22	Service Parts Only
Rex 1160	220/50	Europe	C208 - 24	Service Parts Only
Ricoh SS935	220,240/50	Europe, etc.	C208 - 27	Service Parts Only
Ricoh SS935	220,240/50	Asia, etc.	C208 - 29	Service Parts Only
Rex 1170	120/60	Canada	C207 - 10	Service Parts Only
Ges 5270	120/60	USA, Canada	C207 - 12	Service Parts Only
Ges 5270	110/60	Taiwan	C207 - 13	Service Parts Only
Rex 1170	110/60	Taiwan	C207 - 14	Service Parts Only
Ricoh SS955	120/60	USA, Canada	C207 - 17	Service Parts Only
Ricoh SS955	110/60	Taiwan	C207 - 19	Service Parts Only
Ges 5270	220/50	Europe	C207 - 22	Service Parts Only
Rex 1170	220/50	Europe	C207 - 24	Service Parts Only
Ricoh SS955	220,240/50	Europe, etc.	C207 - 27	Service Parts Only
Ricoh SS955	220,240/50	Asia, etc.	C207 - 29	Service Parts Only





<b>Model</b>	SS935/955, Ges5230/5270, Rex1160/1170	<b>Volt/Hz</b>	<b>Date of Modification</b>	<b>Serial Number</b>
<b>Modified Article</b>	Drum drive gear			
<b>Reason for Modification</b>	To increase durability			

To increase durability, the material of the drum drive gears (drum side and machine side) have been changed.

Old Part Number	New Part Number	Description	Interchangeability	Page	Index
C2012218	C2132218	Stud & Gear - 30T	X/O	7	1
C2032330	C2132330	Drum Drive Gear/Pully Ass'y	X/O	7	38
C2034560	C2134560	Rear Drum Flange	X/O	37	41

T. Ito, Manager  
Copier Technical Support

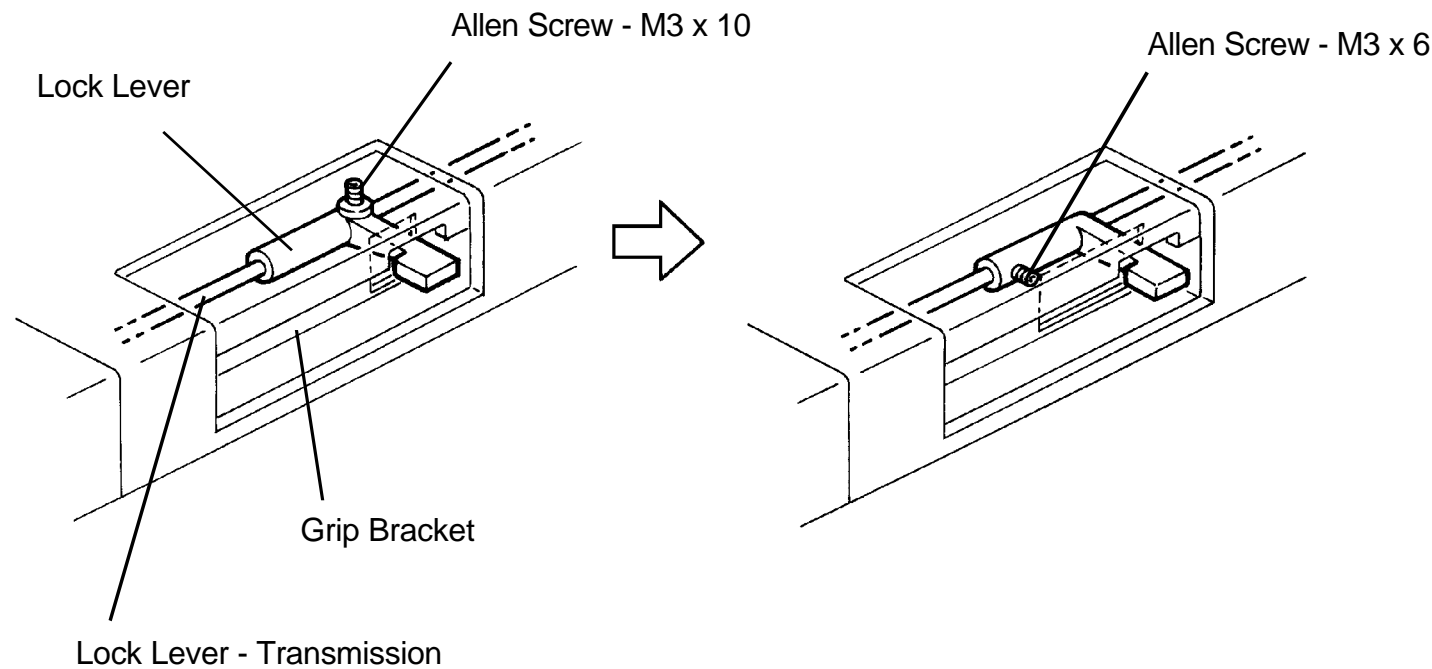
MODEL NAME	V/Hz	DESTINATION	CODE	SERIAL NUMBER
Rex 1160	120/60	Canada	C208 - 10	Service Parts Only
Ges 5230	120/60	USA, Canada	C208 - 12	Service Parts Only
Ges 5230	110/60	Taiwan	C208 - 13	Service Parts Only
Rex 1160	110/60	Taiwan	C208 - 14	Service Parts Only
Ricoh SS935	120/60	USA, Canada	C208 - 17	Service Parts Only
Ricoh SS935	110/60	Taiwan	C208 - 19	Service Parts Only
Ges 5230	220/50	Europe	C208 - 22	Service Parts Only
Rex 1160	220/50	Europe	C208 - 24	Service Parts Only
Ricoh SS935	220,240/50	Europe, etc.	C208 - 27	Service Parts Only
Ricoh SS935	220,240/50	Asia, etc.	C208 - 29	Service Parts Only
Rex 1170	120/60	Canada	C207 - 10	Service Parts Only
Ges 5270	120/60	USA, Canada	C207 - 12	Service Parts Only
Ges 5270	110/60	Taiwan	C207 - 13	Service Parts Only
Rex 1170	110/60	Taiwan	C207 - 14	Service Parts Only
Ricoh SS955	120/60	USA, Canada	C207 - 17	Service Parts Only
Ricoh SS955	110/60	Taiwan	C207 - 19	Service Parts Only
Ges 5270	220/50	Europe	C207 - 22	Service Parts Only
Rex 1170	220/50	Europe	C207 - 24	Service Parts Only
Ricoh SS955	220,240/50	Europe, etc.	C207 - 27	Service Parts Only
Ricoh SS955	220,240/50	Asia, etc.	C207 - 29	Service Parts Only



**DETAILS OF MODIFICATION**

In the present machines, it is difficult to tighten the screw fixing the lock lever to the shaft. It is necessary to remove the scanner unit to access the screw.

To facilitate servicing, the direction of the screw has been changed and the cutout of the bracket has been enlarged so that a customer engineer can access the screw from the cutout of the bracket.



T. Ito, Manager  
Copier Technical Support

MODEL NAME	V/Hz	DESTINATION	CODE	SERIAL NUMBER
Rex 1160	120/60	Canada	C208 - 10	Service Parts Only
Ges 5230	120/60	USA, Canada	C208 - 12	Service Parts Only
Ges 5230	110/60	Taiwan	C208 - 13	Service Parts Only
Rex 1160	110/60	Taiwan	C208 - 14	Service Parts Only
Ricoh SS935	120/60	USA, Canada	C208 - 17	Service Parts Only
Ricoh SS935	110/60	Taiwan	C208 - 19	Service Parts Only
Ges 5230	220/50	Europe	C208 - 22	Service Parts Only
Rex 1160	220/50	Europe	C208 - 24	Service Parts Only
Ricoh SS935	220,240/50	Europe, etc.	C208 - 27	Service Parts Only
Ricoh SS935	220,240/50	Asia, etc.	C208 - 29	Service Parts Only
Rex 1170	120/60	Canada	C207 - 10	Service Parts Only
Ges 5270	120/60	USA, Canada	C207 - 12	Service Parts Only
Ges 5270	110/60	Taiwan	C207 - 13	Service Parts Only
Rex 1170	110/60	Taiwan	C207 - 14	Service Parts Only
Ricoh SS955	120/60	USA, Canada	C207 - 17	Service Parts Only
Ricoh SS955	110/60	Taiwan	C207 - 19	Service Parts Only
Ges 5270	220/50	Europe	C207 - 22	Service Parts Only
Rex 1170	220/50	Europe	C207 - 24	Service Parts Only
Ricoh SS955	220,240/50	Europe, etc.	C207 - 27	Service Parts Only
Ricoh SS955	220,240/50	Asia, etc.	C207 - 29	Service Parts Only